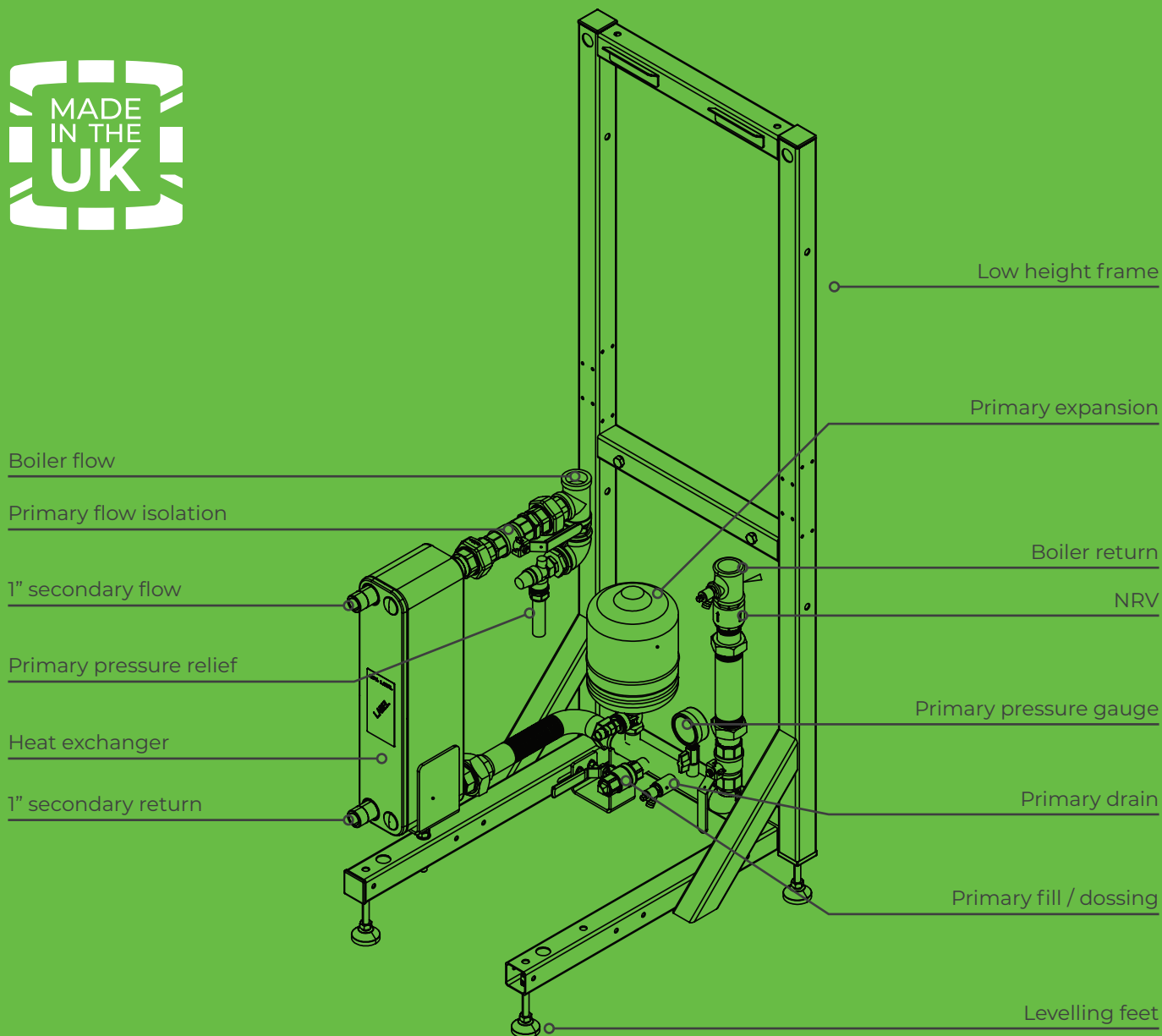


# Keston

BY IDEAL HEATING

## PLATE HEAT EXCHANGE PACKAGE



# Features & specification

A complete package to allow installation of single boilers with hydraulic separation from the secondary system using a brazed plate stainless steel plate heat exchanger. The boiler side of the package includes expansion vessel, pressure gauge, pressure relief valve, filling point and drain connection.

Suitable for all Heat2 boiler models with standard operating temperatures of 85/65°C boiler side and 75/55°C secondary side. Please contact your local sales representative to discuss other operating temperature profiles.

A complete package requires a Keston Heat2 boiler to be added as a minimum. Additional accessories are available.

## PART CODES

UIN	DESCRIPTION
234563	KESTON PLATE HEAT EXCHANGE PACKAGE

## COMPATIBLE WITH

UIN	DESCRIPTION
355123	KESTON HEAT 2 45 NG BOILER
355124	KESTON HEAT 2 55 NG BOILER
355125	KESTON HEAT 2 45 LPG BOILER
355126	KESTON HEAT 2 55 LPG BOILER

## DIMENSION & CLEARANCES

