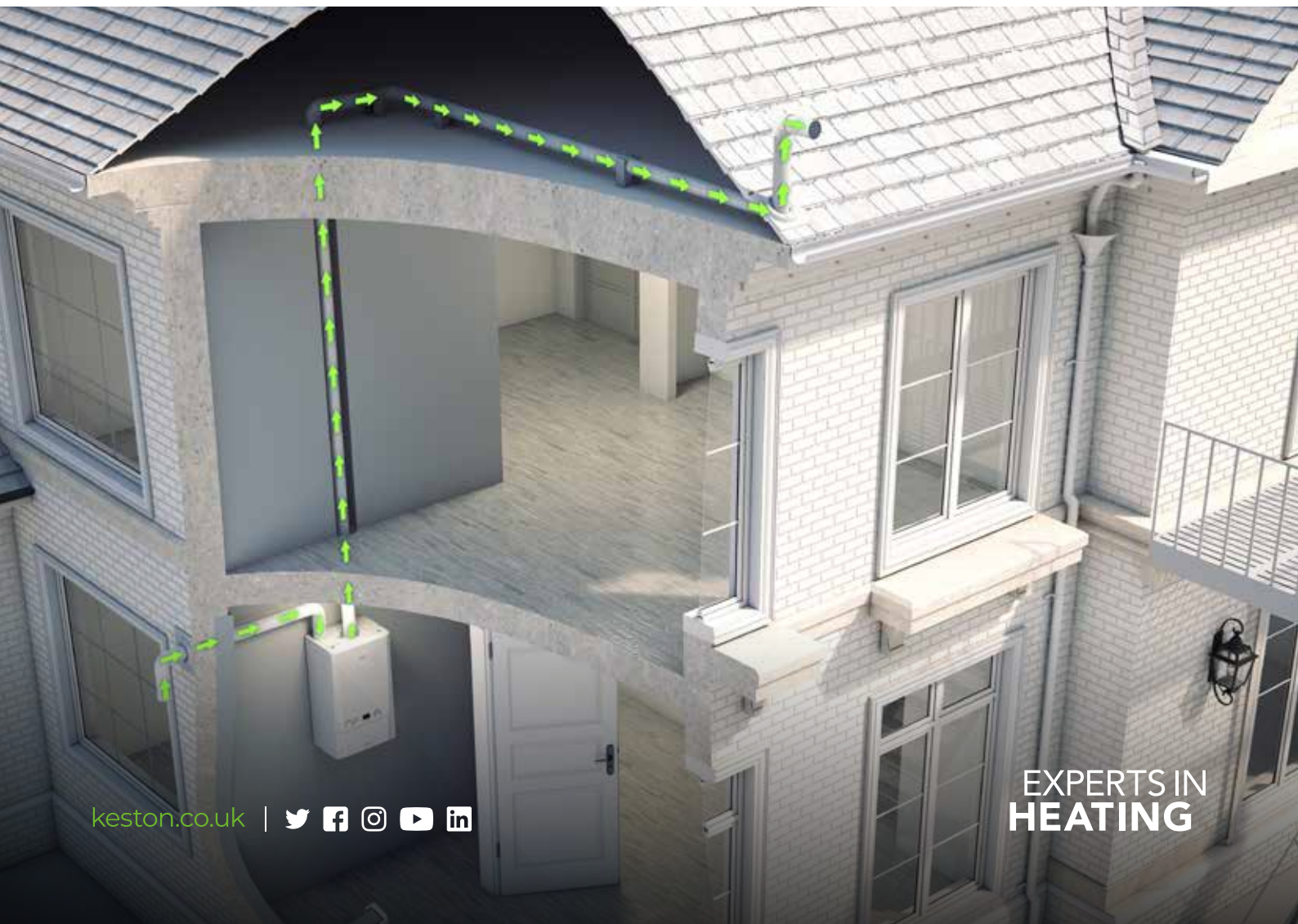


Keston

BY IDEAL HEATING

TWIN FLUE TECHNOLOGY EXPERTS.

DESIGNED TO GO THE DISTANCE



keston.co.uk |     

EXPERTS IN
HEATING

EVERYTHING IS POSSIBLE.



Providing ultimate reliability with upto 7 year warranties



Providing the perfect solution for difficult installations



British built for 10 years in our Yorkshire factory

DESIGNED TO WORK WITHOUT COMPROMISE

When you choose to work with Keston you can be confident that you're partnering with a British manufacturer that's supported by a dedicated national service team, delivering help and advice to you and your customers, 364 days a year.

Our rigorous research & development procedures and manufacturing quality control checks ensures that all of our products are produced to the highest of standards, delivering total comfort and peace of mind.

The Keston Twin Flue system makes every job easier. To give you maximum flue flexibility, you can run the flue vertically or horizontally from an elevation of 1.5° and the flue can be extended up to 27 metres from the boiler allowing for easy and hassle-free installation.

THE ULTIMATE SIMPLE FLUE SYSTEM

- Flexible flue positioning avoids plumbing issues
- Widely available from plumbing and builders merchants
- Flue can be painted when installed internally and externally
- 50mm muPVC (PVC-C)* solvent weld allowing simple cost effective installation



CONTENTS

- 02 Designed to work without compromise
- 04 A Keston for all occasions
- 08 We believe in rewarding our installers
- 06 Twin flue systems
- 12 Keston System 2 30
- 20 Keston Combi 2 C30 and C35
- 26 Keston Heat 2 45 and 55
- 31 Multi boiler installations
- 34 Frame and header kits
- 35 Frame and header accessories
- 36 Cascade installations
- 42 Keston service, support and aftersales
- 44 Keston training
- 46 Product information
- 48 Connect

* The only Solvent Weld Waste systems approved for this application are:

- Marley muPVC (PVC-C) (50mm)
- Polypipe System 2000 muPVC (PVC-C) (50mm)
- Polypipe Terrain (50mm)
- Wavin Osma PVC-C (50mm).

Please use the recommended Solvent Weld Cement for each system. Please see page 9 for more details.

† Keston System and Combi:

5 year parts and labour warranty as standard. 7 year warranty when installed with a Keston 22mm System Filter and registered within 30 days of installation. Terms and conditions apply.

Keston Heat 2:

2 year parts and labour warranty as standard. 5 year warranty available subject to being commissioned by Keston Boilers. Free Commissioning only available when a Keston 28mm System Filter is installed with a single Keston Heat 2 boiler; not available on multiple (cascade) boiler installations. Terms and conditions apply.

The Keston range includes both domestic and light commercial models which come complete with twin flue capability.

A KESTON FOR ALL OCCASIONS.



Keston boilers are offered with a warranty of up to 7 years†, ensuring the ultimate peace of mind for both you and your customer. The Keston range is made up of Combi, Heat only and System boilers, offering a solution for all applications.

Every model in the range offers a market leading solution for awkward and problematic installations, thanks to the twin flue capability.

You can rest assured when choosing Keston as you will be supported by a national customer service team, offering support 7 days a week.



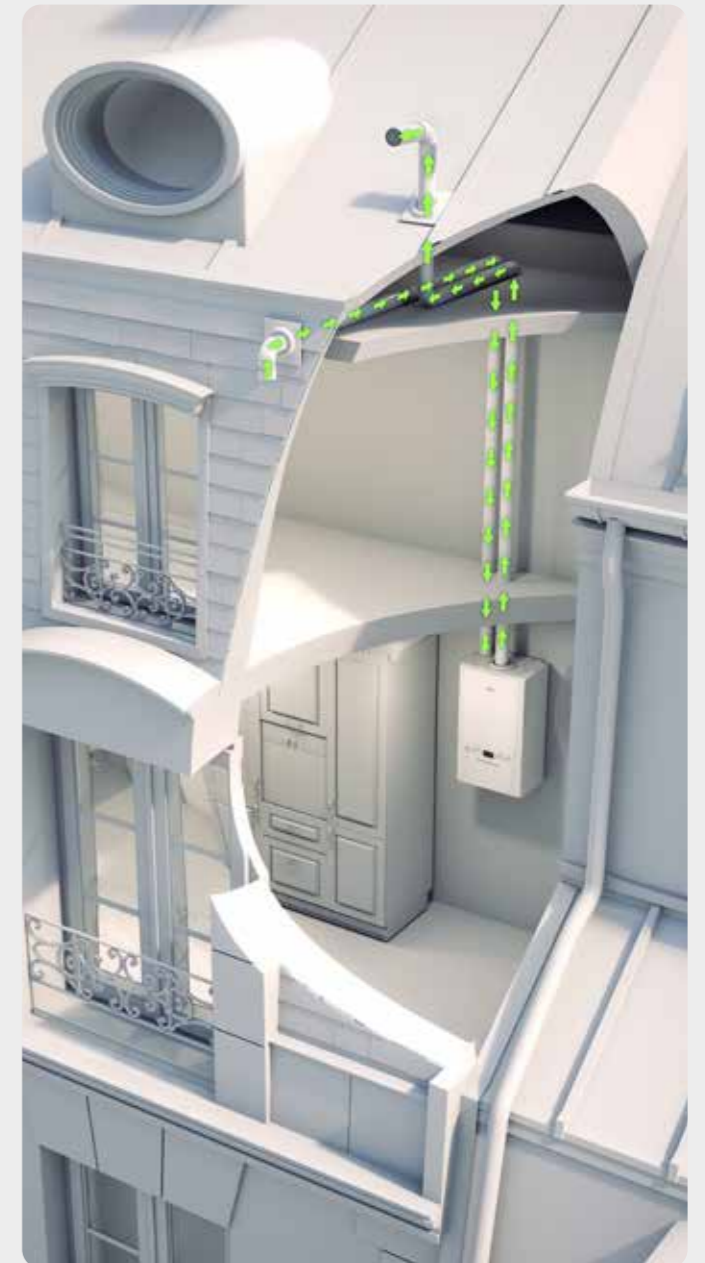
Keston boilers are available with warranties of up to 7 years when a Keston System Filter is also installed†

With Keston, your boiler can be situated any room, any place, anywhere – no compromise.

WHERE I DON'T WANT THE BOILER IN SIGHT



WHERE THERE IS A LONG DISTANCE FROM BOILER TO OUTLET



Images for illustrative purposes only. † Keston System and Combi: 5 year parts & labour warranty as standard. 7 year warranty when installed with a Keston 22mm System Filter and registered within 30 days of installation. Terms and conditions apply. Keston Heat 2: 2 year parts & labour warranty as standard. 5 year warranty available subject to being commissioned by Keston Boilers. Free Commissioning only available when a Keston 28mm System Filter is installed with a single Keston 2 Heat boiler; not available on multiple (cascade) boiler installations. Terms and conditions apply.

The benefits of the unique Keston flue systems make every installation easier. With Keston everything is possible

TWIN FLUE SYSTEMS.

A low cost, small diameter (50mm) muPVC (PVC-C) pipe (Marley, Polypipe 2000 System, Polypipe Terrain 200 and Wavin Osma systems only) is the only item required for use with the innovative Keston flue and air intake system. This is readily available from your local merchant at a fraction of the cost of concentric flue.

The Keston flue system makes every job easier. To give you maximum flexibility, you can run the flue vertically or horizontally from an elevation of 1.5°) and the flue can be extended up to 27* metres from the boiler allowing for easy and hassle-free installation.



Keston System 2
27m maximum flue length*

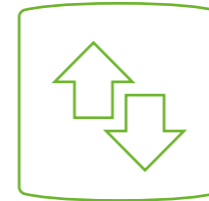


Keston Combi 2
27m maximum flue length*



Keston Heat 2
18m maximum flue length*

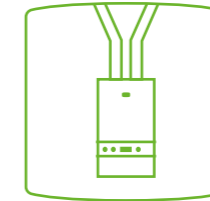
* For flue fall and maximum total equivalent flue lengths, please refer to each boiler's installation manual.



APPROVED FLUE PIPE SYSTEMS

When installing a replacement boiler a new flue system is recommended. However re-using the existing boiler flue installation is acceptable if the installer checks and confirms:

- The flue pipe is the approved Marley/Polypipe/Terrain/Wavin 50mm muPVC (PVC-C) solvent weld flue system
- The flue installation is upgraded to the most recent flue standards taking particular care to comply with flues in voids regulation
- A risk assessment is conducted to confirm the effectiveness of the flue
- The existing flue will last the lifetime of the new appliance



DESIGN

Individual air supply and flue outlet pipes are used as standard.

The material approved for this application which MUST be used are:

- Marley muPVC Solvent Weld System (50mm)
- Polypipe System 2000 muPVC solvent weld (50mm)
- Polypipe Terrain 200 muPVC Solvent Weld System (50mm)
- Wavin OSMA PVC-C Solvent Weld System (50mm) to BS5255 and/or BSEN1566-11 and BSEN1329, are the only systems approved for this application.

THE FOLLOWING PIPE AND FITTINGS ARE APPROVED:

Marley muPVC Solvent Weld System (50mm)

| Marley Code | |
|-------------|------------------------------|
| KP 304 | 50mm x 4m double spigot pipe |
| KP32 | 50mm x 45 deg bend |
| KSC3 | 50mm straight coupling |
| KB3 | 50mm x 88.5 deg bend |
| KT3 | 50mm swept tee |

Polypipe System 2000 muPVC Solvent Weld System (50mm)

| Polypipe Code | |
|---------------|----------------------------------|
| MU 301 | 4m length muPVC wastepipe 5/225 |
| MU 313 | 50mm x 45 deg muPVC obtuse bend |
| MU 314 | 50mm x 92.5 deg muPVC swept bend |
| MU 316 | 50mm x 92.5 deg muPVC swept tee |

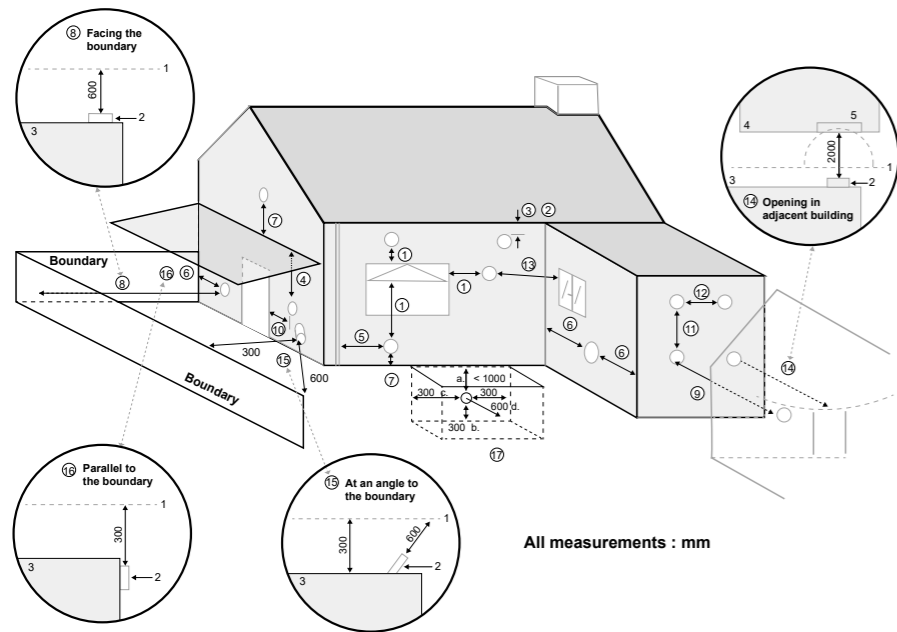
Polypipe Terrain Solvent 200 Weld System (50mm)

| Polypipe Code | |
|---------------|------------------------------------|
| 200.2.40 | 4m length muPVC wastepipe |
| 201.2.135 | 50mm x 135 deg muPVC bend |
| 200.2.91 | 50mm x 91 1/4 deg muPVC swept bend |
| 210.2 | 50mm muPVC straight coupling |
| 204.2.135 | 50mm muPVC swept tee |

Wavin OSMA PVC-C Solvent Weld System (50mm)

| Wavin Code | |
|------------|---------------------------|
| 2M073 | 3M length waste pipe 50mm |
| 2M163 | 50mm x 45 deg bend |
| 2M161 | 50mm x 87.5 deg bend |
| 2M104 | 50mm double socket |
| 2M190 | 50mm x 8.75 tee |

FLUE POSITIONING

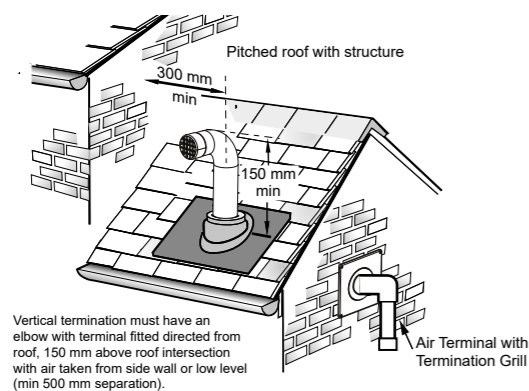
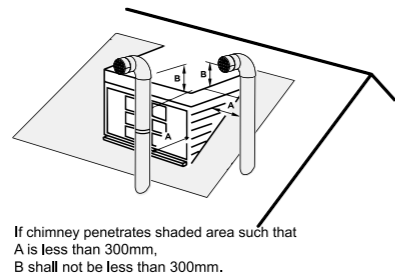
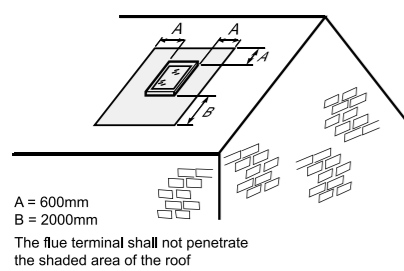
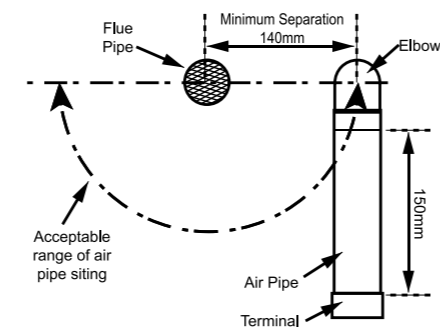


TERMINATION OF THE FLUE AND AIR

The flue and air pipes may terminate independently through any external walls within the same dwelling except on opposing walls, within the maximum lengths shown in the graphs on pages 18, 24 and 30 (alternatively a vertical flue pipe termination is acceptable). The air pipe must have an elbow and 150mm length of pipe directed downwards with a termination grill fitted. C13 only, C53 must have a minimum of a 90 degree elbow and terminal fitted facing downwards to prevent rain ingress.

The air pipe can be situated at the side or beneath the flue pipe to a minimum dimension of 140mm (see diagram below). It must not be sited above the flue pipe. The flue and air pipes must extend by at least 40mm from the wall surface. Condensing boilers emit a visible plume of water vapour from the flue terminal, this is normal. It is the responsibility of the installer to judiciously select a terminal location that does not cause a nuisance. If either the flue or air terminal is below a height of 2m from ground level a terminal guard must be fitted.

Note. Any vertical termination MUST comply with C53 installation with the air being taken from greater than 500mm away and from a flat wall termination as diagram in "Flue Positioning".



KESTON FLUE TERMINAL POSITIONS - C13 CLASSIFICATION

| Twin Flue Positions when Flue and Air Terminal are less than 500mm apart (3) | | Flue minimum spacing | Air minimum spacing |
|--|--|---|-------------------------------------|
| 1 | Directly below, above or alongside an opening (1) | 300mm | 50mm |
| 2 | Below, guttering, drain pipes or soil pipes | 75mm | 50mm |
| 3 | Below eaves | 200mm | 50mm |
| 4 | Below balconies or car port roof | 200mm | 50mm |
| 5 | From vertical drain pipes or soil pipes | 150mm | 50mm |
| 6 | From an internal or external corner or to a boundary alongside the terminal (2) | 200mm | 50mm |
| 7 | Above ground, roof or balcony level | 300mm | 300mm |
| 8 | From a surface or a boundary facing the terminal (4) | 600mm | 300mm |
| 9 | From a terminal facing a terminal | 1200mm | 1200mm |
| 10 | From an opening in a car port into dwelling | 1200mm | 50mm |
| 11 | Vertically from a terminal on the same wall | 1500mm | 1500mm |
| 12 | Horizontally from a terminal on the same wall | 300mm | 300mm |
| 13 | Horizontally from an adjacent window | 600mm | 50mm |
| 14 | Facing an opening into an adjacent building | 2000mm | 50mm |
| 15 | At an angle to the boundary | 90° 45° | 300mm 600mm |
| 16 | Parallel to a boundary | 300mm | 50mm |
| 17 | Below ground level - open light well | a) Below ground b) Above floor level c) From side d) From facing surface | < 1000mm 300mm 300mm 600mm |
| (1) | In addition, for temperature and structural reasons, the terminal should not be nearer than 150 mm (fanned draught) to an opening in the building fabric formed for the purpose of accommodating a built-in element such as a window frame | | |
| (2) | The reference to external corners does not apply to building protrusions not exceeding 450 mm, such as disused chimneys on external walls for: fanned draught appliances | | |
| (3) | The flue and air pipes must extend by at least 40mm from the wall / surface through which they are mounted | | |
| (4) | An air inlet facing a boundary can be 50mm | | |

KESTON FLUE TERMINAL POSITIONS - C53 CLASSIFICATION

| Twin Flue Positions when Flue and Air Terminal are less than 500mm apart (3) (4) | | Flue minimum spacing | Air minimum spacing |
|--|--|---|-------------------------------------|
| 1 | Directly below, above or alongside an opening (1) | 300mm | 50mm |
| 2 | Below, guttering, drain pipes or soil pipes | 75mm | 50mm |
| 3 | Below eaves | 200mm | 50mm |
| 4 | Below balconies or car port roof | 200mm | 50mm |
| 5 | From vertical drain pipes or soil pipes | 150mm | 50mm |
| 6 | From an internal or external corner or to a boundary alongside the terminal (2) | 200mm | 50mm |
| 7 | Above ground, roof or balcony level | 300mm | 300mm |
| 8 | From a surface or a boundary facing the terminal (5) | 600mm | 300mm |
| 9 | From a terminal facing a terminal | 1200mm | 1200mm |
| 10 | From an opening in a car port into dwelling | 1200mm | 50mm |
| 11 | Vertically from a terminal on the same wall | 1500mm | 1500mm |
| 12 | Horizontally from a terminal on the same wall | 300mm | 300mm |
| 13 | Horizontally from an adjacent window | 600mm | 50mm |
| 14 | Facing an opening into an adjacent building | 2000mm | 50mm |
| 15 | At an angle to the boundary | 90° 45° | 300mm 600mm |
| 16 | Parallel to a boundary | 300mm | 50mm |
| 17 | Below ground level - open light well | a) Below ground b) Above floor level c) From side d) From facing surface | < 1000mm 300mm 300mm 600mm |
| (1) | In addition, for temperature and structural reasons, the terminal should not be nearer than 150 mm (fanned draught) to an opening in the building fabric formed for the purpose of accommodating a built-in element such as a window frame | | |
| (2) | The reference to external corners does not apply to building protrusions not exceeding 450 mm, such as disused chimneys on external walls for: fanned draught appliances | | |
| (3) | The flue and air pipes must extend by at least 40mm from the wall / surface through which they are mounted | | |
| (4) | Refer to the preceding images for dimensions of flue terminations above a roof or adjacent to vertical structures on a roof | | |
| (5) | The flue and air pipes must extend by at least 40mm from the wall / surface through which they are mounted | | |

TWIN FLUE SYSTEMS

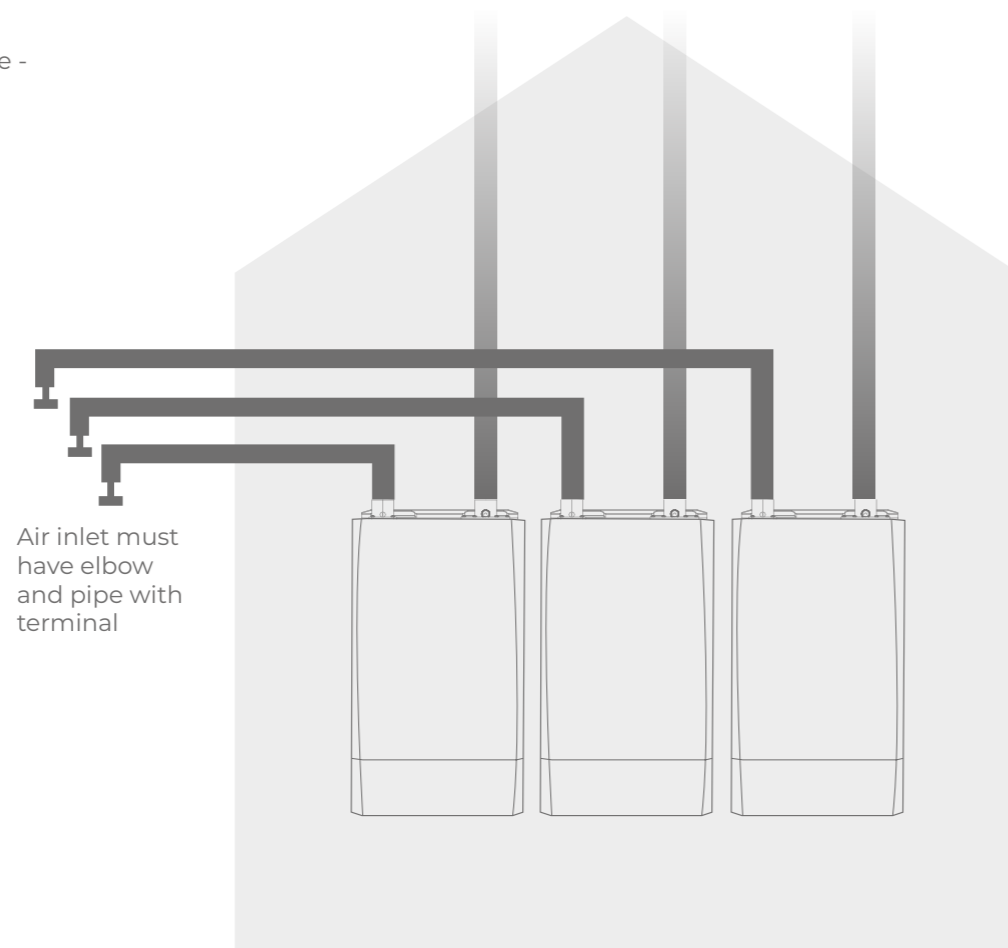
The termination of the flue pipes must be a minimum of 140mm apart.

There is no minimum spacing required when running flue pipes vertically within the building.

150mm above intersection of roof vertical flue pipe to have elbow and terminal pointing away from pitch.

If long runs of vertical pipe are utilised, it is recommended to fit a condensate trap at the base of the vertical section (if offset to flue adaptor).

- Air must be taken from vertical wall below roof level
- No minimum separation required between air intakes
- No fall required for air intake - can be horizontal



KESTON BOILER RANGE



Keston System 2

Keston Combi 2

Keston Heat 2



7 YEAR WARRANTY†

Providing ultimate reliability, Keston boilers are offered with warranties of up to 7 years when fitted with a Keston System Filter



TWIN FLUE DESIGN

Providing the perfect solution for problematic and awkward installations



WEATHER COMPENSATOR

All models in the Keston range come complete with weather compensation as standard



BRITISH BUILT FOR 10 YEARS

All Keston boilers are built in and designed for the British market

† Keston System 2 and Combi 2: 5 year parts & labour warranty as standard. 7 year warranty when installed with a Keston 22mm System Filter and registered within 30 days of installation. Terms and conditions apply. Keston Heat 2: 2 year parts & labour warranty as standard. 5 year warranty available subject to being commissioned by Keston Boilers. Free Commissioning only available when a Keston 28mm System Filter is installed with a single Keston Heat 2 boiler; not available on multiple (cascade) boiler installations. Terms and conditions apply.

KESTON SYSTEM 2.

30kW Output



† 7 year warranty when installed with a Keston 22mm System Filter and registered within 30 days of installation. 5 year parts and labour warranty as standard. Terms and conditions apply.

High SEDBUK efficiency rating and easy to install.

Keston System 2 boiler provides a simple and reliable solution for a wide variety of sealed domestic systems.

Available with a 30kW output, Keston System 2 provides a dependable and efficient solution for new and replacement installations. Time saving push & clip flue spigot connections and a wide range of alternative flueing solutions help to ensure the product is installed quickly in virtually any domestic situation.

With a lightweight design, concealed connections at the base and no compartment ventilation required, Keston System 2 can be conveniently fitted out of sight into a standard kitchen cupboard*.

Complete with a 7 year parts and labour warranty†, Keston System 2 boiler provides simple heating control, all from a single compact appliance.

THE FACTS

- 7 year warranty†
- Easy to see pressure gauge
- Large high resolution colour screen
- Low lift weight
- Low component count maximising reliability
- Compact dimensions
- Twin flue up to 27m**
- 50mm muPVC (PVC-C) solvent weld flue allowing simple, cost effective installations***
- Weather compensation supplied as standard
- Inbuilt frost protection
- Fully modulating
- LPG conversion kit available

* Please check cupboard size prior to installation

** For the maximum total equivalent flue length, please refer to the installation manual.

*** The only systems approved for this application are: Marley muPVC (PVC-C) Solvent Weld Waste System (50mm), Polypipe System 2000 muPVC (PVC-C) Solvent Weld Waste System (50mm), Polypipe Terrain Solvent Weld System (50mm) and Wavin Osma PVC-C Solvent Weld System (50mm). Please use the recommended Solvent Weld Cement for each system. Please see page 11 for more details.



7 YEAR WARRANTY†

Providing ultimate reliability, Keston System 2 boilers are offered with a 7 year warranty when fitted with a Keston 22mm System Filter



TWIN FLUE DESIGN

Providing the perfect solution for problematic and awkward installations



WEATHER COMPENSATOR

All models in the Keston range come complete with weather compensation as standard



BRITISH BUILT FOR 10 YEARS

All Keston boilers are built in and designed for the British market



HALO COMPATIBLE

Compatible with Halo, our smart room thermostat

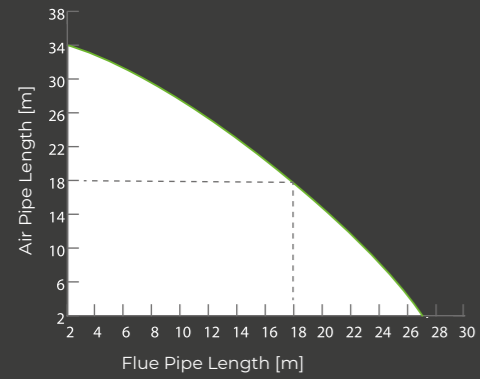


20% HYDROGEN READY

Fully compatible with a natural gas blend containing up to 20% hydrogen

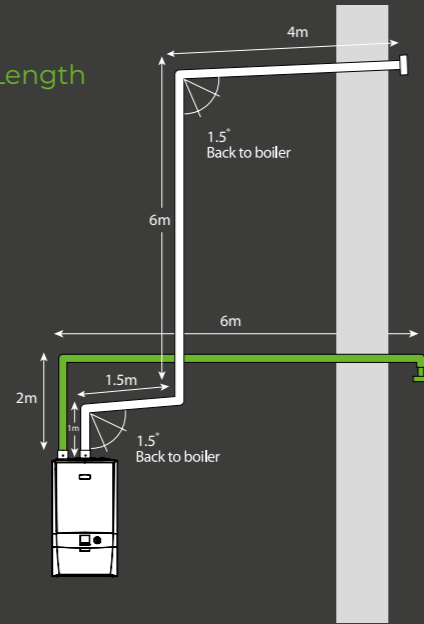
FLUE

Keston System 2 S30 - Flue & Air Pipe Length



acceptable flue operating area

Graph indicates maximum flue run 27m with 2m air. Also, 18m flue with 18m air pipe for parallel twin flue run.

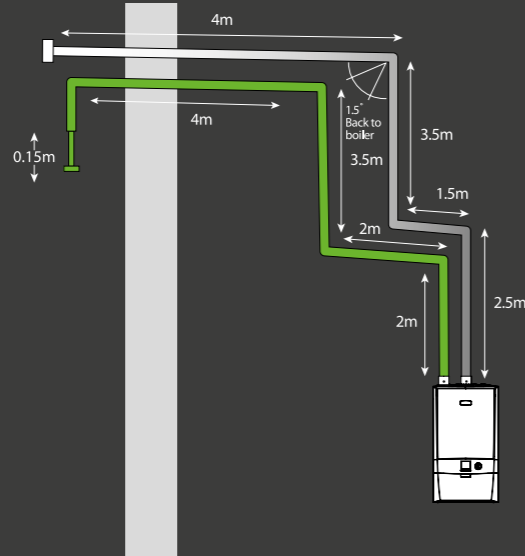


C53 HORIZONTAL

Calculations

Flue
Elbows 3 x 1m = 3m
Straights 4+6+1.5+1 = 12.5m
Total = 15.5m

Air
Elbows 2 x 1m = 2m
Straights 6+2+0.1+1 = 8.1m
Total = 10.1m



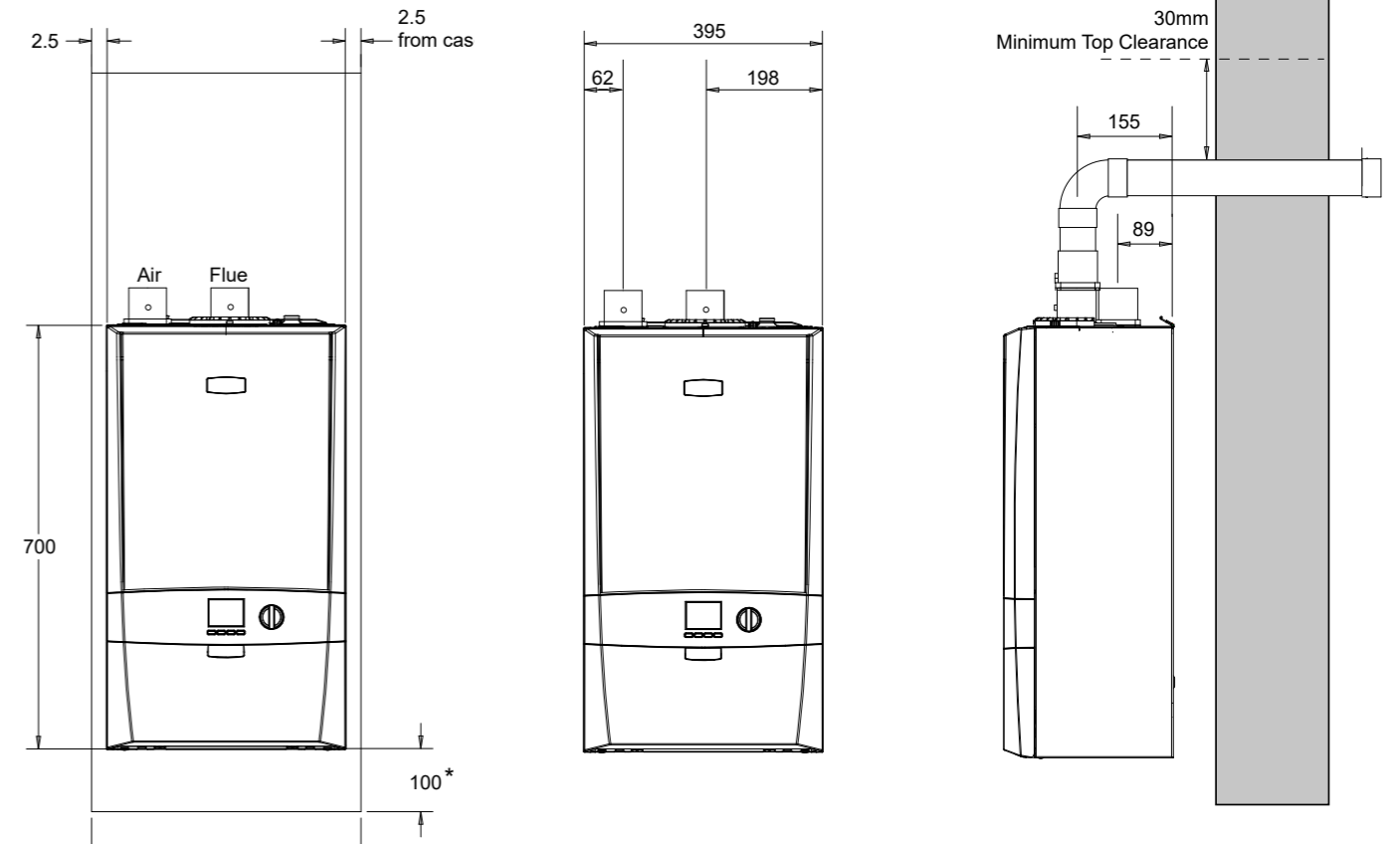
C13 HORIZONTAL

Calculations

Flue
Elbows 3 x 1m = 3m
Straights 4+3.5+1.5+2.5 = 11.5m
Total = 14.5m

Air
Elbows 4 x 1m = 4m
Straights 2+2+3.5+4+0.15 = 11.65m
Total = 15.65m

DIMENSIONS



KESTON SYSTEM 2

| | |
|--------|-------|
| Height | 700mm |
| Width | 395mm |
| Depth | 278mm |

The following minimum clearances must be maintained for operation and servicing.
Front of boiler - 450mm[†]
Sides of boiler - 2.5mm
Above boiler - 30mm above the flue
Below boiler - 100mm[†]

* Or equivalent length.
† Can be reduced to 5mm for cupboard fit, 450mm required for servicing.

SPECIFICATION DATA

CENTRAL HEATING

| S30 | | | |
|--------------------|--------------|-------------------|-------|
| CH Output @ 70°C | Max | kW | 30.3 |
| | Min | kW | 6.1 |
| CH Output @ 40°C | Max | kW | 31.0 |
| | Min | kW | 6.4 |
| CH Input | Nett CV Max | kW | 30.4 |
| | Nett CV Min | kW | 6.1 |
| CH Input | Gross CV Max | kW | 33.7 |
| | Gross CV Min | kW | 6.7 |
| CH Gas Consumption | Max | m ³ /h | 3.136 |
| | Min | m ³ /h | 0.623 |

OTHERS

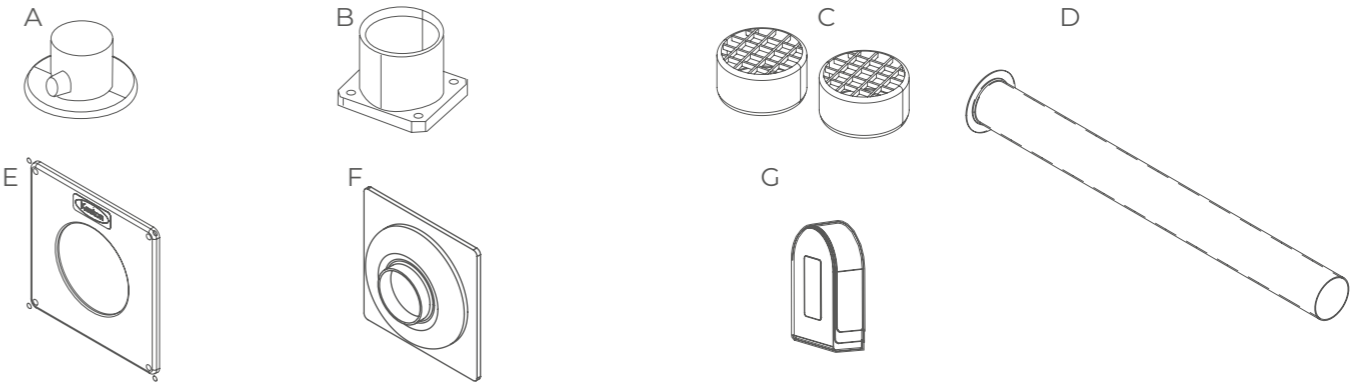
| S30 | | | |
|---|------------------|---|---------|
| Seasonal Efficiency | SEDBUK 2005 | % | 91.1 |
| | SEDBUK 2009/2012 | % | 89.6 |
| Seasonal Space Heating Efficiency Class | | | A |
| NOx Classification | | | Class 6 |



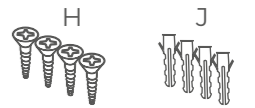
GENERAL DATA

| S30 | | |
|---|-----------|---------------------------------------|
| Max Horizontal Flue Length | m | 27 Flue / 2 Air |
| Max Horizontal Flue Length (Parallel) | m | 18 Flue / 18 Air |
| Flue Terminal Diameter | mm | 50 |
| Gas Supply | | 2H - G20 - 20mbar |
| Gas Supply Connection | | 15mm copper compression |
| Injector Size | mm | 4.65 |
| Flow Connection (CH) | | 22mm copper compression |
| Return Connection (CH) | | 22mm copper compression |
| Average Flue Temp - Mass Flow Rate | | 69°C - 13g/s |
| CO ₂ Content (±0.7) (Max CH) | % | 9.6 |
| CO ₂ Content (±0.7) (Min CH) | % | 8.7 |
| Max Working Pressure (Sealed Systems) | bar (psi) | 2.5 (36.3) |
| Electrical Supply | | 230V - 50Hz |
| Power Consumption | W | 102 |
| Fuse Rating | | External 3A / Internal: T4A HRC L250V |
| Water Content | l (gal) | 1.2 (0.26) |
| Weight (Packed) | kg | 31.3 |
| Maximum Installation Weight | kg | 27.3 |

SUPPLIED WITH KESTON SYSTEM 2/ COMBI 2

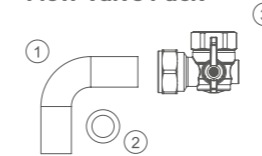


- A. Flue Adapter
- B. Air Spigot
- C. Terminals - 2 off
- D. Flue Sleeve
- E. Wall Plate
- F. Wall Seal
- G. Outside sensor
- H. Screws - 4 off
- J. Wall Plugs - 4 off



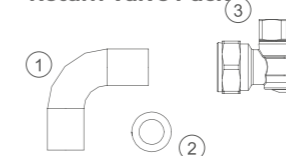
KESTON SYSTEM 2 CONNECTION PACK

Flow Valve Pack



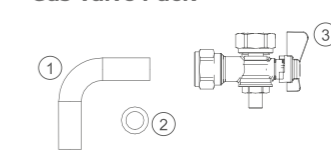
- 1. Pipe CH Flow
- 2. Washer CH
- 3. Valve Flow

Return Valve Pack



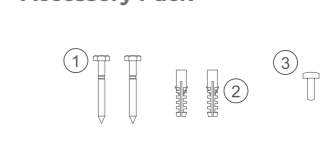
- 1. Pipe CH Flow
- 2. Washer CH
- 3. Valve Flow

Gas Valve Pack



- 1. Screw (x2)
- 2. Wallplug (x2)
- 3. Turret Clamp Screw (spare) (x1)

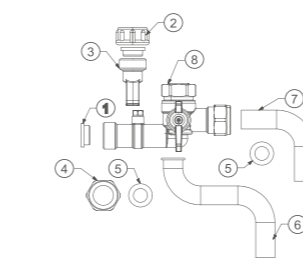
Accessory Pack



- 1. Pipe - Gas Inlet
- 2. Washer - Gas (blue)
- 3. Gas Cock

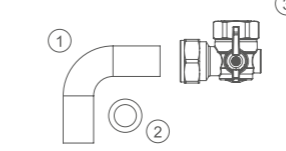
KESTON COMBI 2 CONNECTION PACK

DHW Pack



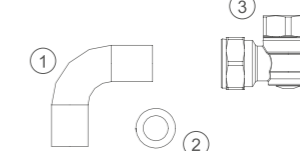
- 1. 1/2" Top Hat Washer (x2)
- 2. Cap Female
- 3. Plug Male and Clip
- 4. Nut G1/2 16 Brass (Flat)
- 5. Washer 18.5 x 11 x 11.8 (x2)
- 6. Pipe DHW Outlet
- 7. Pipe DHW Inlet
- 8. Valve DHW Inlet

Flow Valve Pack



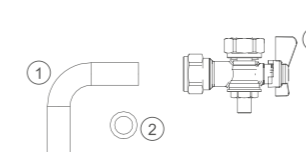
- 1. Pipe CH Flow
- 2. Washer CH
- 3. Valve Flow

Return Valve Pack



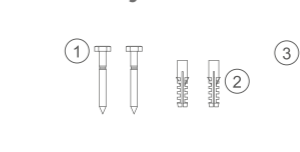
- 1. Pipe CH Return
- 2. Washer CH
- 3. Valve Return

Gas Valve Pack



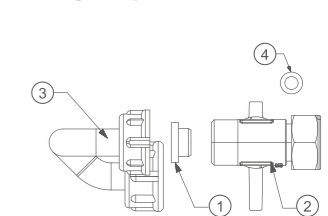
- 1. Pipe - Gas Inlet
- 2. Washer - Gas (blue)
- 3. Gas Cock

Accessory Pack



- 1. Screw (x2)
- 2. Wallplug (x2)
- 3. Turret Clamp Screw

Filling Loop Pack



- 1. 3/8" Fibre washer
- 2. Valve Filling Loop
- 3. Pipe Filling Loop
- 4. Washer

KESTON COMBI 2.

30kW & 35kW Output



7
YEAR WARRANTY†

† 7 year warranty when installed with a Keston 22mm System Filter and registered within 30 days of installation. 5 year parts and labour warranty as standard. Terms and conditions apply.

Complete hassle-free home comfort from a single compact appliance.

Offering first-class comfort in a compact, wall-hung appliance small enough to fit inside a standard kitchen cupboard*, the Keston Combi 2 range enables heating and hot water to be controlled independently, ensuring maximum comfort and efficiency.

Keston Combi 2 can be sited almost anywhere in the home, without the need for a separate tank. And because it connects to the unique Keston Twin Flue system, the boiler can be situated anywhere up to 27** metres from the flue outlet, helping to provide further flexibility when required.

Fully modulating, and with weather compensation, Keston Combi 2 provides excellent energy savings, making it the perfect choice for new or replacement installations alike.

THE FACTS

- 7 year warranty†
- Easy to see pressure gauge
- Large high resolution colour screen
- Low lift weight
- Low component count maximising reliability
- Compact dimensions
- Twin flue up to 27m**
- 50mm muPVC (PVC-C) solvent weld flue allowing simple, cost effective installations***
- Weather compensator supplied as standard making Keston Combi 2 **Boiler Plus compliant out of the box**
- Pre-fitted filling loop
- Inbuilt frost protection
- Fully modulating
- LPG conversion kit available

* Please check cupboard size prior to installation.

** For the maximum total equivalent flue length, please refer to the installation manual.

*** The only systems approved for this application are: Marley muPVC (PVC-C) Solvent Weld Waste System (50mm), Polypipe System 2000 muPVC (PVC-C) Solvent Weld Waste System (50mm), Polypipe Terrain Solvent Weld System (50mm) and Wavin Osma PVC-C Solvent Weld System (50mm). Please use the recommended Solvent Weld Cement for each system. Please see page 11 for more details.



7 YEAR WARRANTY†

Providing ultimate reliability, Keston Combi 2 boilers are offered with a 7 year warranty when fitted with a Keston 22mm System Filter



TWIN FLUE DESIGN

Providing the perfect solution for problematic and awkward installations



WEATHER COMPENSATOR

All models in the Keston range come complete with weather compensation as standard



BRITISH BUILT FOR 10 YEARS

All Keston boilers are built in and designed for the British market



INTELLIGENT PRE-HEAT

The Keston Combi 2 learns usage patterns based on 24-hour trends, offering faster hot water whilst using less gas compared to a standard pre-heat function.



HALO COMPATIBLE

Compatible with Halo, our smart room thermostat

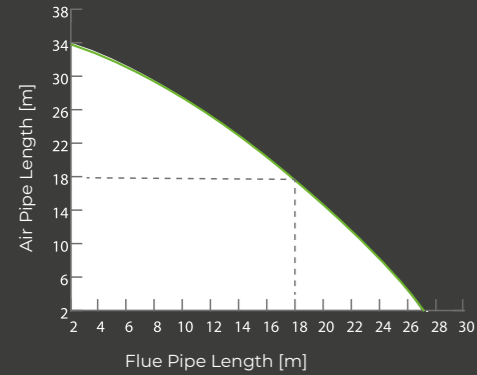


20% HYDROGEN READY

Fully compatible with a natural gas blend containing up to 20% hydrogen

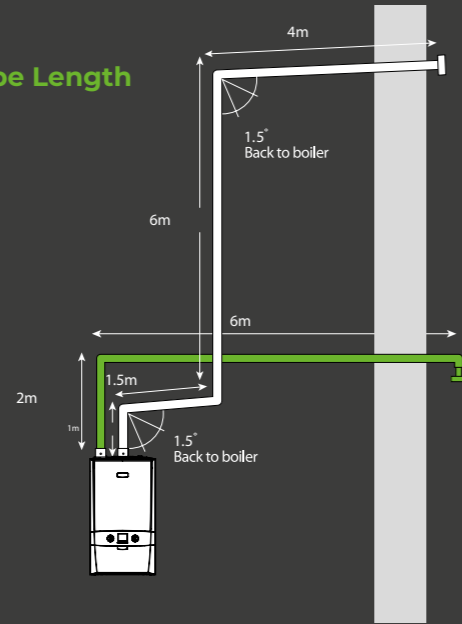
FLUE

Keston Combi 2 C30 - Flue & Air Pipe Length



acceptable flue operating area

Graph indicates maximum flue run 27m with 2m air. Also, 18m flue with 18m air pipe for parallel twin flue run.



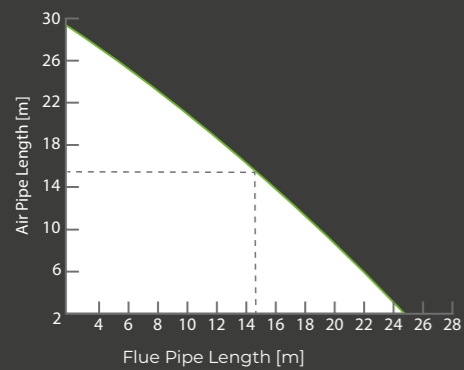
C53 HORIZONTAL

Calculations

Flue
Elbows 3 x 1m = 3m
Straights 4+6+1.5+1 = 12.5m
Total = 15.5m

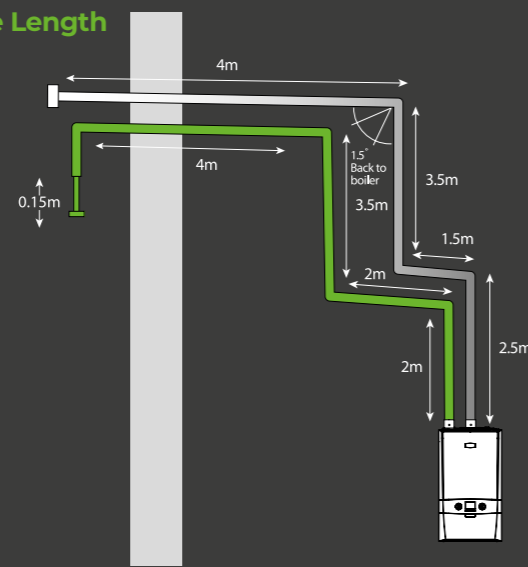
Air
Elbows 2 x 1m = 2m
Straights 6+2+0.1+1 = 8.1m
Total = 10.1m

Keston Combi 2 C35 - Flue & Air Pipe Length



acceptable flue operating area

Graph indicates maximum flue run 25m with 2m air. Also, 15m flue with 15m air pipe for parallel twin flue run.



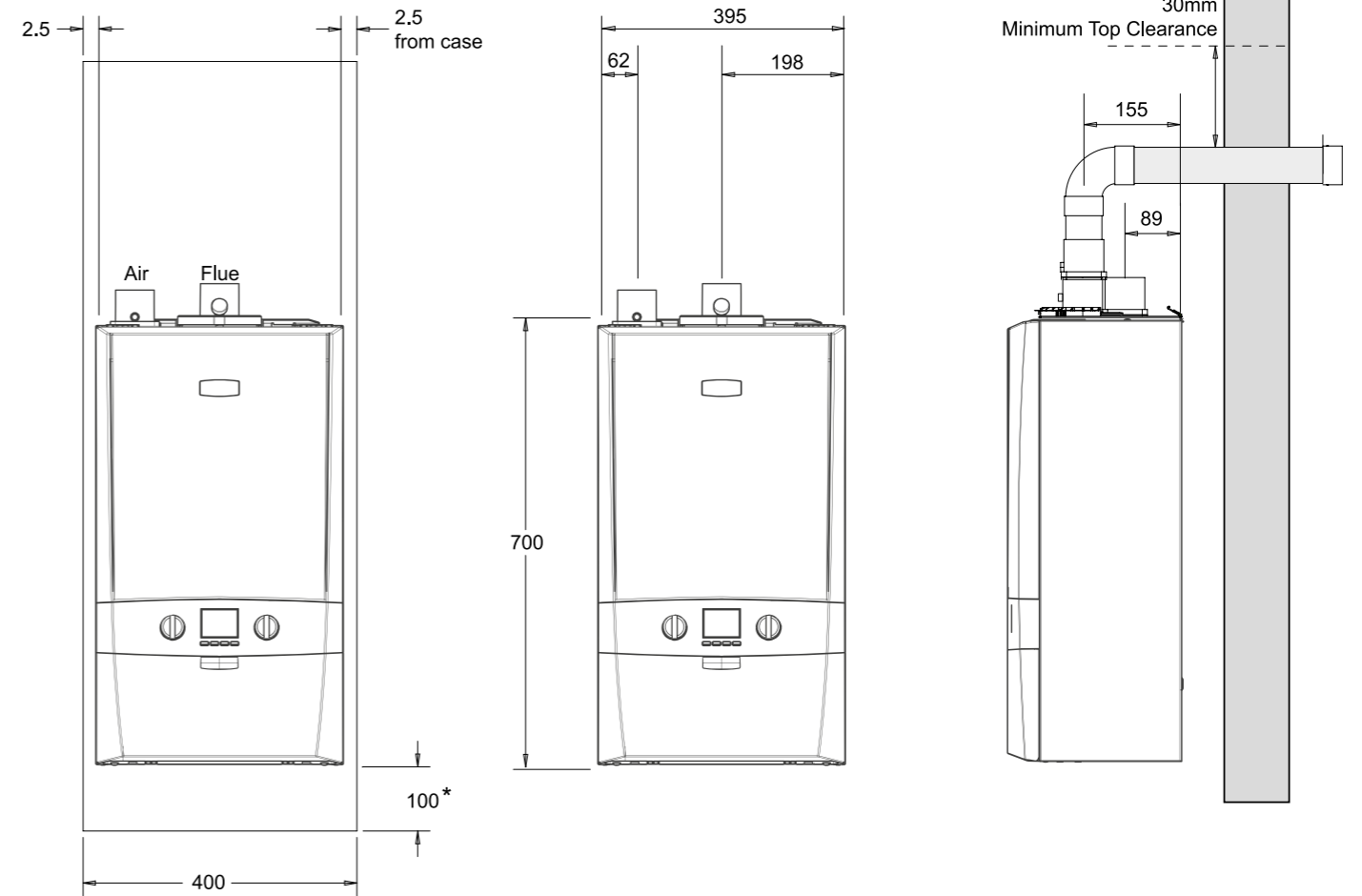
C13 HORIZONTAL

Calculations

Flue
Elbows 3 x 1m = 3m
Straights 4+3.5+1.5+2.5 = 11.5m
Total = 14.5m

Air
Elbows 4 x 1m = 4m
Straights 2+2+3.5+4+0.15 = 11.65m
Total = 15.65m

DIMENSIONS



KESTON COMBI

| | |
|--------|-------|
| Height | 700mm |
| Width | 395mm |
| Depth | 278mm |

The following minimum clearances must be maintained for operation and servicing.
Front of boiler - 450mm[†]
Sides of boiler - 2.5mm
Above boiler - 30mm above the flue
Below boiler - 100mm[†]

* Or equivalent length.
† Can be reduced to 5mm for cupboard fit, 450mm required for servicing

SPECIFICATION DATA

CENTRAL HEATING

| | | | C30 | C35 |
|--------------------|--------------|------|-------|-------|
| CH Output @ 70°C | Max | kW | 24.2 | 24.2 |
| | Min | kW | 6.1 | 7.1 |
| CH Output @ 40°C | Max | kW | 25.6 | 25.6 |
| | Min | kW | 6.4 | 7.5 |
| CH Input | Nett CV Max | kW | 24.3 | 24.3 |
| | Nett CV Min | kW | 6.1 | 7.1 |
| CH Input | Gross CV Max | kW | 27.0 | 27.0 |
| | Gross CV Min | kW | 6.7 | 7.9 |
| CH Gas Consumption | Max | m³/h | 2.512 | 2.512 |
| | Min | m³/h | 0.627 | 0.734 |

HOT WATER

| | | | C30 | C35 |
|----------------------------|--------------|-------|-------|-------|
| DHW Output | Max | kW | 30.3 | 35.3 |
| DHW Input | Nett CV Max | kW | 30.4 | 35.4 |
| DHW Input | Gross CV Max | kW | 33.7 | 39.3 |
| DHW Gas Consumption | | m³/h | 3.135 | 3.657 |
| DHW Flow Rate at 35°C Rise | | l/min | 12.4 | 14.5 |
| DHW Specific Rate | | l/min | 14.5 | 16.9 |

OTHERS

| | | | C30 | C35 |
|---|------------------|---|---------|---------|
| Seasonal Efficiency | SEDBUK 2005 | % | 91.1 | 91.1 |
| | SEDBUK 2009/2012 | % | 89.6 | 89.6 |
| Seasonal Space Heating Efficiency Class | | | A | A |
| NOx Classification | | | Class 6 | Class 6 |



GENERAL DATA

| | | C30 | C35 |
|--|--------------------|---------------------------------------|------------------|
| Max Horizontal Flue Length | m | 27 Flue / 2 Air | 25 Flue / 2 Air |
| Max Horizontal Flue Length (Parallel) | m | 18 Flue / 18 Air | 15 Flue / 15 Air |
| Flue Terminal Diameter | mm | 50 | |
| Gas Supply | | 2H - G20 - 20mbar | |
| Gas Supply Connection | | 15mm copper compression | |
| Injector Size | mm | 4.65 | 4.90 |
| Flow Connection (CH) | | 22mm copper compression | |
| Return Connection (CH) | | 22mm copper compression | |
| Inlet Connection (DHW) | | 15mm copper compression | |
| Outlet Connection (DHW) | | 15mm copper compression | |
| Average Flue Temp - Mass Flow Rate (DHW) | | 68°C - 13g/s | 73°C - 15g/s |
| CO ₂ Content (±0.7) (Min CH) | % | 8.5 | 8.8 |
| CO ₂ Content (±0.7) (Max DHW) | % | 9.3 | 9.7 |
| Max Working Pressure (Sealed Systems) | bar (psi) | 2.5 (36.3) | |
| Max DHW Inlet Pressure | bar (psi) (kPa) | 10.0 (145) (1000) | |
| Min DHW Inlet Pressure | bar (psi) (kPa) | 1.3 (18.9) (130) | |
| Electrical Supply | | 230V - 50Hz | |
| Power Consumption | W | 93 | 110 |
| Fuse Rating | | External 3A / Internal: T4A HRC L250V | |
| Water Content (CH) | l (gal) | 1.2 (0.26) | |
| Water Content (DHW) | l (gal) | 1.0 (0.22) | |
| Weight (Packed) | kg | 32.9 | 32.9 |
| Maximum Installation Weight | kg | 28.6 | 28.6 |

KESTON HEAT 2.

45kW & 55kW Output Natural Gas & LPG



With its higher outputs, Keston Heat 2 is an ideal solution for both Large Domestic and Commercial installations.

Supported by a 5 year parts and labour warranty and Free Commissioning†, Keston Heat 2 is a reliable and efficient wall hung solution. The quality of this product range has been developed through meticulous design, careful component selection and proving; leading to reliability and longevity.

The range provides high efficiencies for both home and business owners, ensuring reduced running costs. This is coupled with low NOx emissions, giving Keston Heat 2 a Class 6 rating.

For Commercial installations, Keston Heat 2 are easy to cascade, with a choice of Frame heights and advanced optional cascade controls; you can find out more about our Frame and Header kits on pages 20-21. Please note that Free Commissioning is not available on multiple (cascade) boiler installations.

THE FACTS

- 5 year warranty†
- Free Commissioning†
- Low NOx Class 6
- Inbuilt weather compensation
- Inbuilt pump (low energy modulating)
- Twin flue up to 18m*
- New Air Inlet Kit for Open Flue (B23) installations
- High 5:1 turndown
- Small installation footprint
- 50mm muPVC (PVC-C) solvent weld flue allowing simple, cost effective installations**
- Cascade controls option
- Easy servicing with 3 removable sides
- Built in, serviceable flue Non-Return Valve



Install the Keston 28mm system filter with a Keston Heat 2 boiler to receive FREE COMMISSIONING†



5 YEAR WARRANTY†

Providing ultimate reliability, Keston Heat 2 boilers are offered with a 5 year warranty when commissioned by Keston Boilers



TWIN FLUE DESIGN

Providing the perfect solution for problematic and awkward installations



WEATHER COMPENSATOR

All models in the Keston range come complete with weather compensation as standard



FRAME AND HEADER KITS

Able to facilitate up to 6 Keston Heat boilers in cascade



MODULATING PUMP

Keston Heat boilers come with a low energy modulating pump which complies with energy efficiency requirements



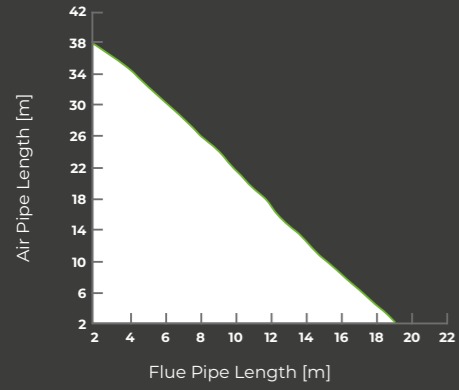
BRITISH BUILT FOR 10 YEARS

All Keston boilers are built in and designed for the British market

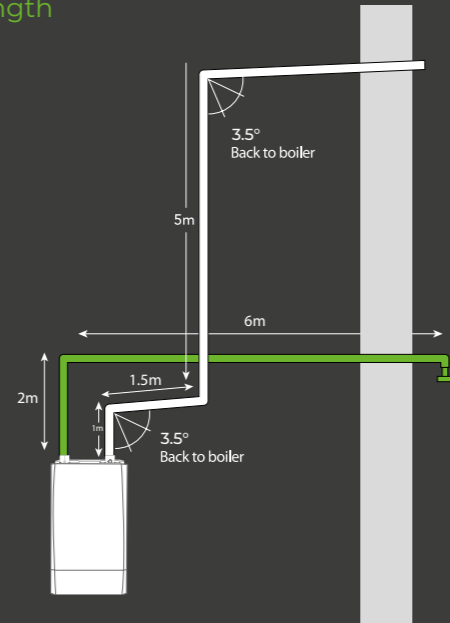
† 2 year parts & labour warranty as standard. 5 year warranty available subject to being commissioned by Keston Boilers. Free Commissioning only available when a Keston 28mm System Filter is installed with a single Keston Heat 2 boiler; not available on multiple (cascade) boiler installations. Terms and conditions apply.* For maximum total equivalent flue length please refer to the installation instructions for full details.** The only systems approved for this application are: Marley muPVC (PVC-C) Solvent Weld Waste System (50mm), Polypipe System 2000 muPVC (PVC-C) Solvent Weld Waste System (50mm), Polypipe Terrain Solvent Weld System (50mm) and Wavin Osma PVC-C Solvent Weld System (50mm). Please use the recommended Solvent Weld Cement for each system.

FLUE

Keston Heat 2 45 - Flue & Air Pipe Length



Graph indicates:
Maximum flue run 19m with 2m air



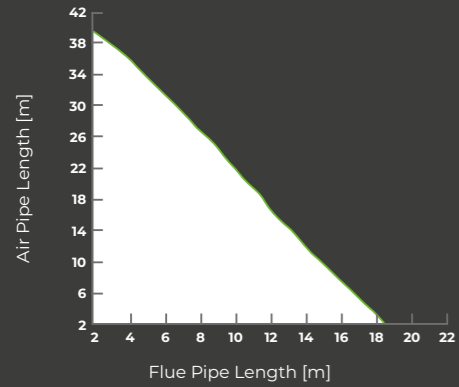
C53 HORIZONTAL

Calculations

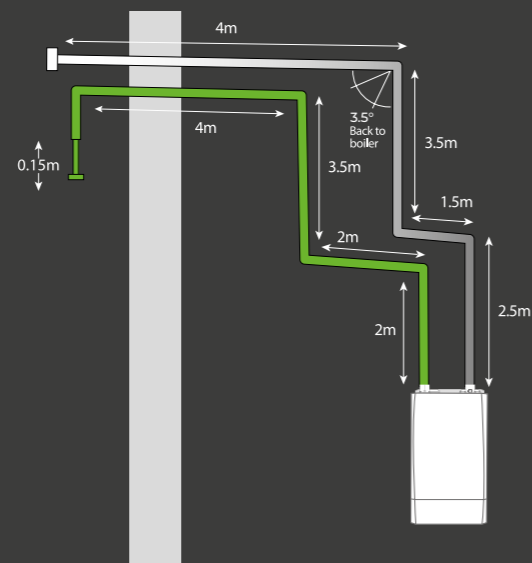
Flue
Elbows 3 x 1m = 3m
Straights 4+5+1.5+1 = 11.5m
Total = 14.5m

Air
Elbows 2 x 1m = 2m
Straights 6+2+0.1m = 8.1m
Total = 10.1m

Keston Heat 2 55 - Flue & Air Pipe Length



Graph indicates:
Maximum flue run 18m with 2m air



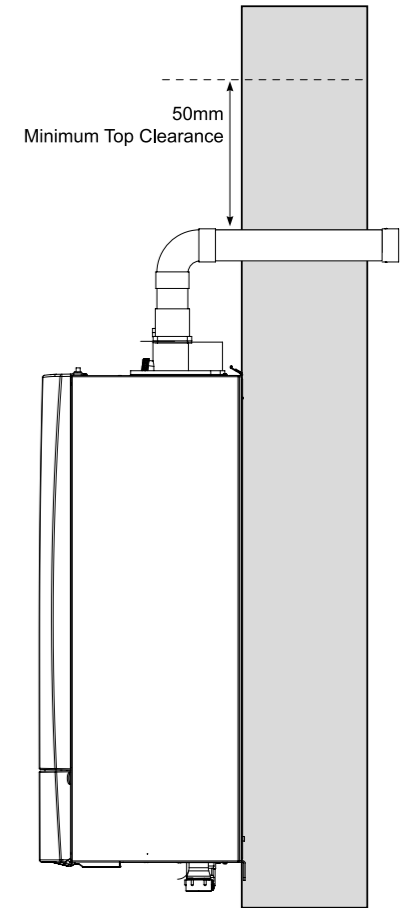
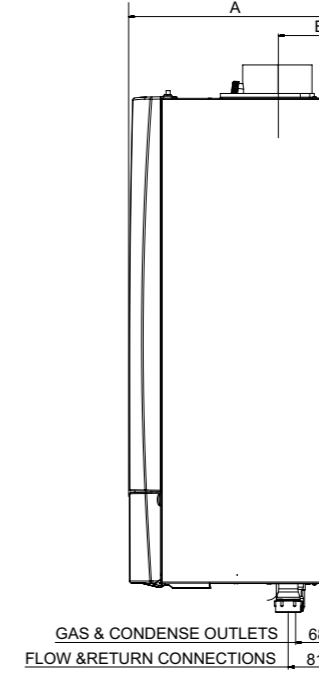
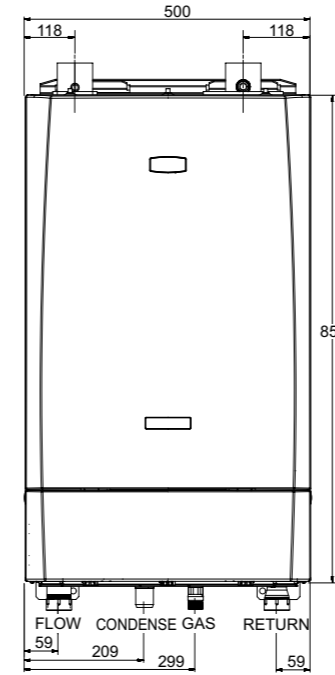
C13 HORIZONTAL

Calculations

Flue
Elbows 3 x 1m = 3m
Straights 2.5+1.5+1.5+4 = 9.5m
Total = 12.5m

Air
Elbows 4 x 1m = 4m
Straights 2+2+3.5+4+0.15 = 11.65m
Total = 15.65m

DIMENSIONS



KESTON HEAT 2

| | |
|--------|-------|
| Height | 850mm |
| Width | 500mm |
| Depth | 360mm |

The following minimum clearances must be maintained for operation and servicing.

- Front of boiler - 450mm*
- Sides of boiler - 25mm
- Above boiler - 50mm above the flue
- Below boiler - 300mm
- Clearance between multiple boiler installations - 25mm

* Can be reduced to 5mm for cupboard fit, 450mm required for servicing

SPECIFICATION DATA



CENTRAL HEATING

| | | | 45 | 45P | 55 | 55P |
|----------------------------|-----|--------------------|--------|--------|--------|----------|
| Boiler Output | Max | kW | 42.6 | 42.6 | 52.1 | 52.1 |
| (Non Condensing) Mean 70°C | Min | kW | 12.0 | 12.0 | 12.0 | 12.0 |
| Boiler Output | Max | kW | 45.0 | 45.0 | 55.0 | 55.0 |
| (Condensing) Mean 40°C | Min | kW | 12.7 | 12.7 | 12.7 | 12.7 |
| Boiler Input Net | Max | kW | 43.2 | 43.2 | 52.7 | 52.7 |
| | Min | kW | 12.2 | 12.2 | 12.2 | 12.2 |
| Boiler Input Gross | Max | kW | 47.9 | 47.9 | 58.5 | 58.5 |
| | Min | kW | 13.5 | 13.5 | 13.5 | 13.5 |
| Gas Consumption / Rate | Max | m ³ /h | 4.56 | 1.78 | 5.57 | 2.18 |
| | Max | ft ³ /h | 161.2 | 62.9 | 196.9 | 76.8 |
| Flue Gas Flow Rate | Max | m ³ /h | 65.8 | 68.03 | 80.6 | 83.71 |
| | Max | ft ³ /h | 2323.7 | 2402.5 | 2846.4 | 2,2956.2 |

OTHERS

| | | | 45 | 45P | 55 | 55P |
|---|----------------|--------|---------|---------|---------|---------|
| Efficiency | Seasonal | % | 96 | 96 | 96.7 | 96.7 |
| | SEDBUK 2009* | % | 89.2 | 89.2 | 89.6 | 89.6 |
| Seasonal Space Heating Efficiency Class | | | A | A | A | A |
| NOx | Weighted | mg/kWh | 28.6 | 43.1 | 35.4 | 48.4 |
| | Classification | | Class 6 | Class 6 | Class 6 | Class 6 |
| CO ₂ (±0.5) | Max | % | 9.5 | 10.8 | 9.7 | 10.7 |
| | Min | % | 8.7 | 9.9 | 8.7 | 9.9 |

* The value is used in the UK Government's Standard Assessment Procedure (SAP) for energy ratings of dwellings. The test data from which it has been calculated have been certified by a notified body.

GENERAL DATA

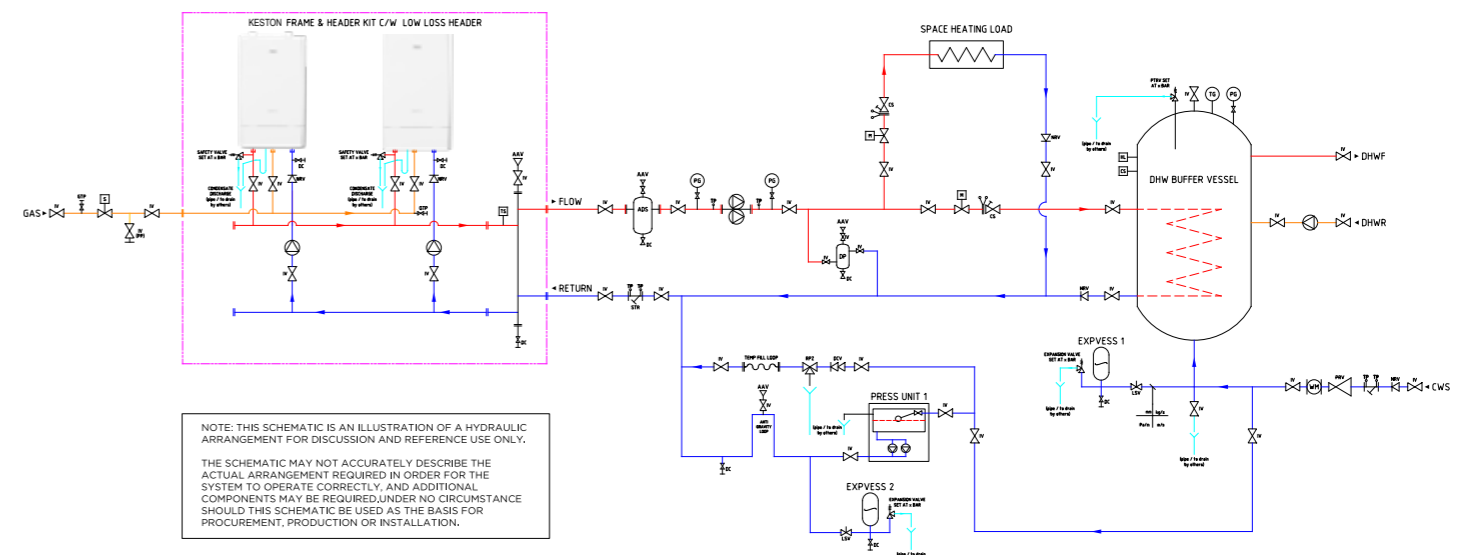
| | | 45P | 45 | 55 | 55P |
|---------------------------------------|-----------|----------------------|----------------------|----------------------|----------------------|
| Max Horizontal Flue Length | m | 19 Flue / 2 Air | 19 Flue / 2 Air | 18 Flue / 2 Air | 18 Flue / 2 Air |
| Max Horizontal Flue Length (Parallel) | m | 13.5 Flue / 13.5 Air | 13.5 Flue / 13.5 Air | 13.5 Flue / 13.5 Air | 13.5 Flue / 13.5 Air |
| Flue Terminal Diameter | mm | 50 | | | |
| Gas Supply | | 3P - G31 - 37mbar | 2H - G20 - 20mbar | 2H - G20 - 20mbar | 3P - G31 - 37mbar |
| Gas Supply Connection | | G 3/4 | | | |
| Flow Connection | | G 1 1/4 | | | |
| Return Connection | | G 1 1/4 | | | |
| Max Pressure (Sealed System) | bar (psi) | 6.0 (87.0) | | | |
| Maximum Static Head | m | 61.0 | | | |
| Electricity Supply | | 230V - 50Hz | | | |
| Fuse Rating | A | 4.0 | | | |
| Power Consumption | W | 180 | 180 | 241 | 241 |
| IP Rating | | IP20 | | | |
| Condensate Drain | mm | 25 | | | |
| Water Content | l | 5.0 | | | |
| Dry Weight | kg | 60.10 | | | |

MULTI BOILER INSTALLATIONS - SYSTEM IN CASCADE

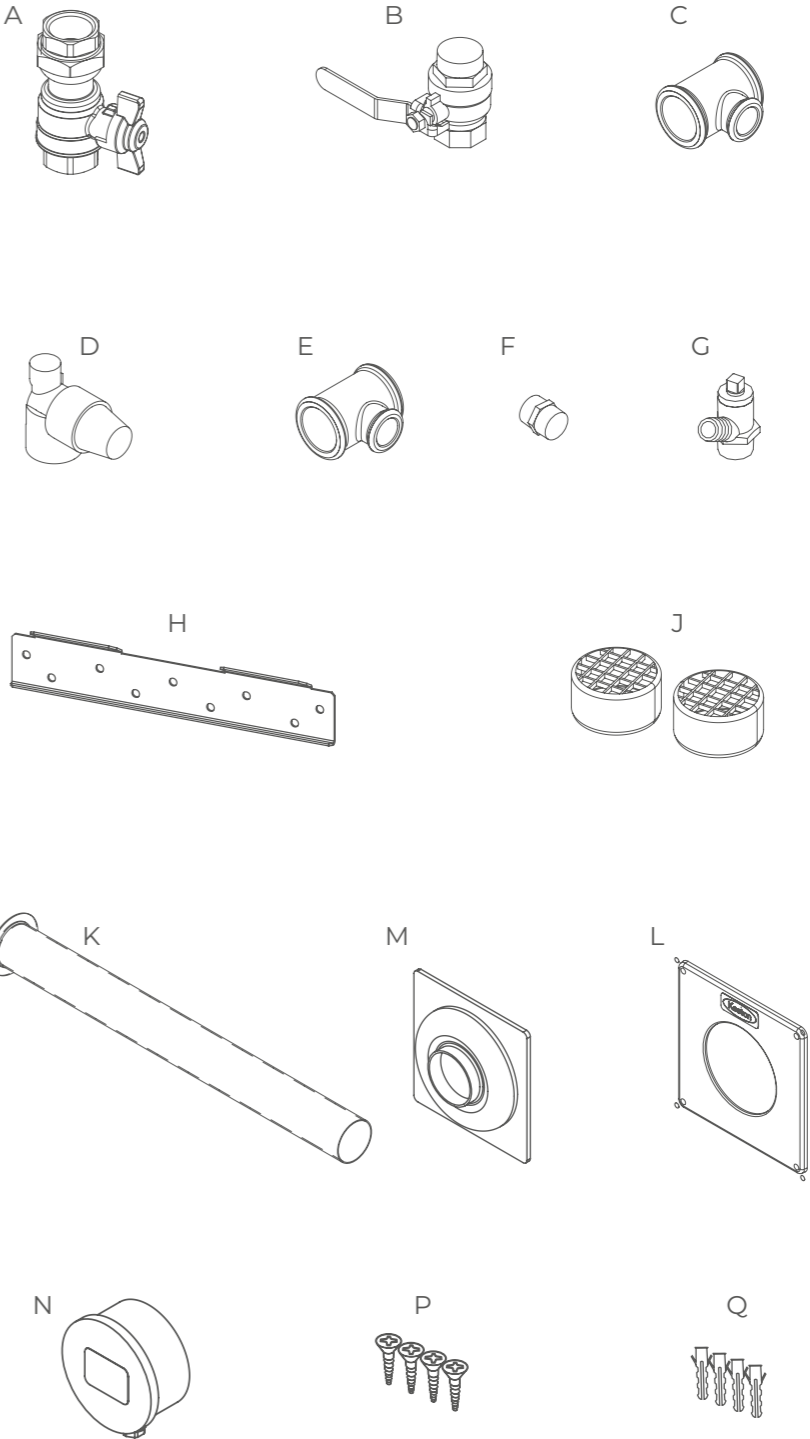
Systems that require a heat load greater than the output of a single boiler capacity can be easily achieved by fitting the required number of units in cascade. The Keston Heat 2 range has a turndown rate of 5:1 allowing system requirements to be easily matched.

In installations where the heat load is greater than the boiler capacity an ideal solution is to use multiple boiler arrangements.

Use Varican modules to control all boilers on a cascade through a Principle and Secondary set up.



SUPPLIED WITH KESTON HEAT 2



- A. Gas cock
- B. Ball Valve - 2 off
- C. M1 Tee 3/4
- D. Pressure Relief Valve
- E. M1 Tee 1/2
- F. Drain Nipple 3/4
- G. Drain Nipple 1/2
- H. Wall Mounting Plate
- J. Terminals - 2 off
- K. Flue Sleeve
- L. Wall Plate & Screws
- M. Wall Seal
- N. Weather Compensation
- P. Screws - 4 off
- Q. Wall Plugs - 4 off

FRAME AND HEADER KITS

Install Up To 6 Boilers in Cascade with Keston Heat 2 Frame and Header Kits.

The Keston Heat 2 Frame and Header kits offer a simple system installation allowing for outputs from 90kW to 330kW

THE FACTS

Small footprint

- 560mm depth for all variants of the Keston Heat 2 frame and header, with boilers in cascade
- Standard Height and Low Height (4 boiler maximum cascade) frames available

Low lift weight

- Lift weights are as low as possible

Controls

- Varican Principle and Secondary modules can be used to sequence and cascade boilers independently without a complex Building Management System.
- Extension Module kit can manage 2 variable temperature mixing circuits

FLEXIBILITY OF SITING

Flue system

- The twin flue system allows awkward and difficult to site flue runs up to 18m*
- Simple 50mm muPVC (PVC-C)** solvent weld flue reduces time, cost and labour
- For increased flexibility of siting, additional elbows and bends are available for both flue systems
- Only 1m reduction in equivalent flue length per 90° bend
- Gas pressure test point fitted to both ends of the gas header to allow left or right hand installation
- New Flue Connector Air Inlet Kit allows Open Flue (B23) installations

* For the maximum total equivalent flue length, please refer to the installation manual. ** The only systems approved for this application are: Marley muPVC (PVC-C) Solvent Weld Waste System (50mm), Polypipe System 2000 muPVC (PVC-C) Solvent Weld Waste System (50mm), Polypipe Terrain Solvent Weld System (50mm) and Wavin Osma PVC-C Solvent Weld System (50mm). Please use the recommended Solvent Weld Cement for each system. Please see page 9 for more details.

KESTON HEAT 2

FRAME & HEADER ACCESSORIES

| CHOOSE A FRAME KIT |
|---|
| Standard Height Up to 6 boilers 355013 1 frame required per boiler i.e. a 6 boiler cascade requires 6 frames |
| Low Height Inline Up to 4 boilers Included with Low Height Header Kit |
| Low Height Inline Frames available separately if header not required 355089 |

Boilers not included with Frame or Header Kits; please remember to add them to your order.

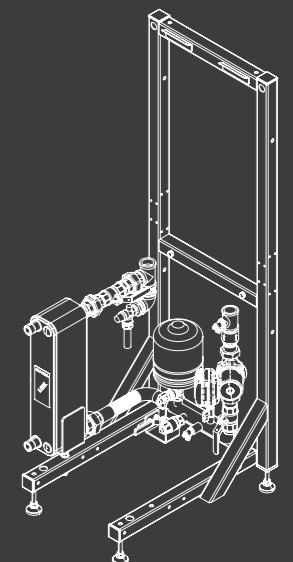
| CHOOSE A HEADER KIT |
|------------------------------|
| Standard Height Frame |
| 2 boilers (DN80) 355084 |
| 2 boilers (DN100) 355111 |
| 3 boilers (DN80) 355085 |
| 3 boilers (DN100) 355112 |
| 4 boilers (DN100) 355086 |
| 5 boilers (DN100) 355087 |
| 6 boilers (DN100) 355088 |
| Low Height Frame |
| 1 boiler (DN50) 355093 |
| 2 boilers (DN65) 355094 |
| 3 boilers (DN80) 355095 |
| 4 boilers (DN100) 355096 |

| CHOOSE HYDRAULIC SEPARATION |
|---------------------------------|
| Low Loss / Mixing Header |
| DN50 355090 |
| DN65 355091 |
| DN80 355019 |
| DN100 355092 |

KESTON PHEX PACKAGE (234563)

A complete package to allow installation of single boilers with hydraulic separation from the secondary system using a brazed plate stainless steel plate heat exchanger. The boiler side of the package includes expansion vessel, pressure gauge, pressure relief valve, filling point and drain connection. Suitable for all Heat 2 boiler models with standard operating temperatures of 85/65°C boiler side and 75/55°C secondary side. Please contact your local sales representative to discuss other operating temperature profiles.

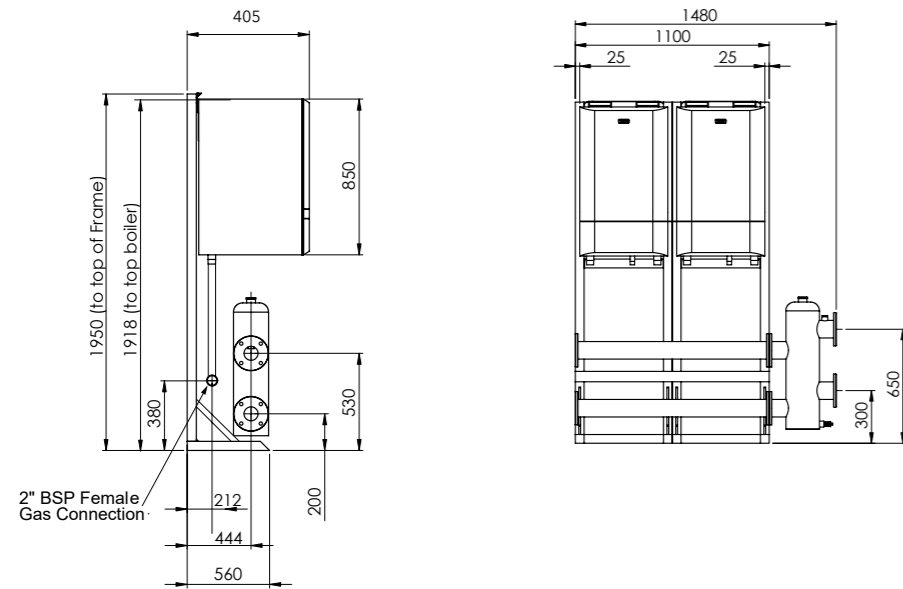
A complete package requires a Heat 2 boiler to be added.



CASCADE INSTALLATIONS

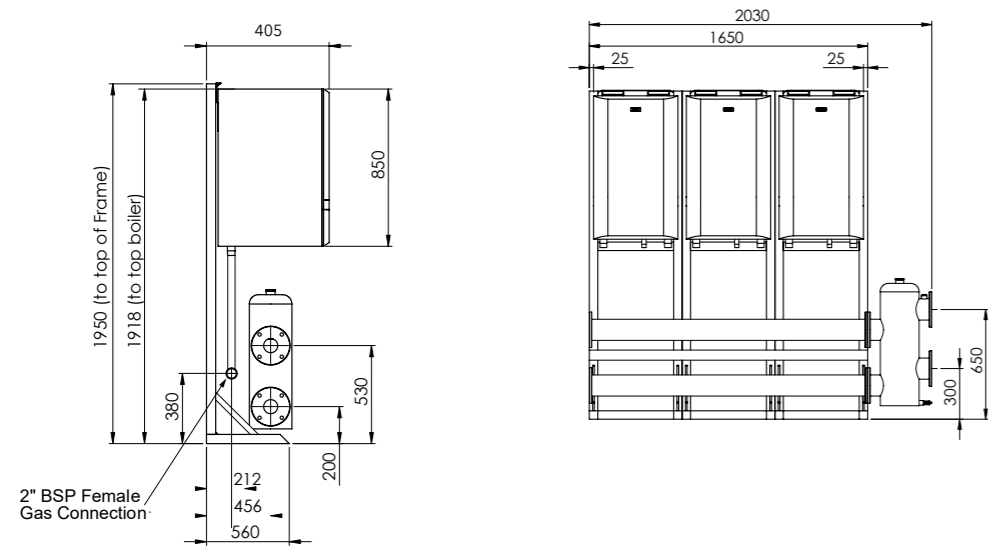
STANDARD HEIGHT INLINE CASCADES

2 X KESTON HEAT 2



| UIN | DN FLANGE SIZE | SUITABLE FOR |
|--------|----------------|--------------------|
| 355084 | DN80 PN6 | 2 x Heat 2 boilers |
| 355111 | DN100 PN6 | 2 x Heat 2 boilers |

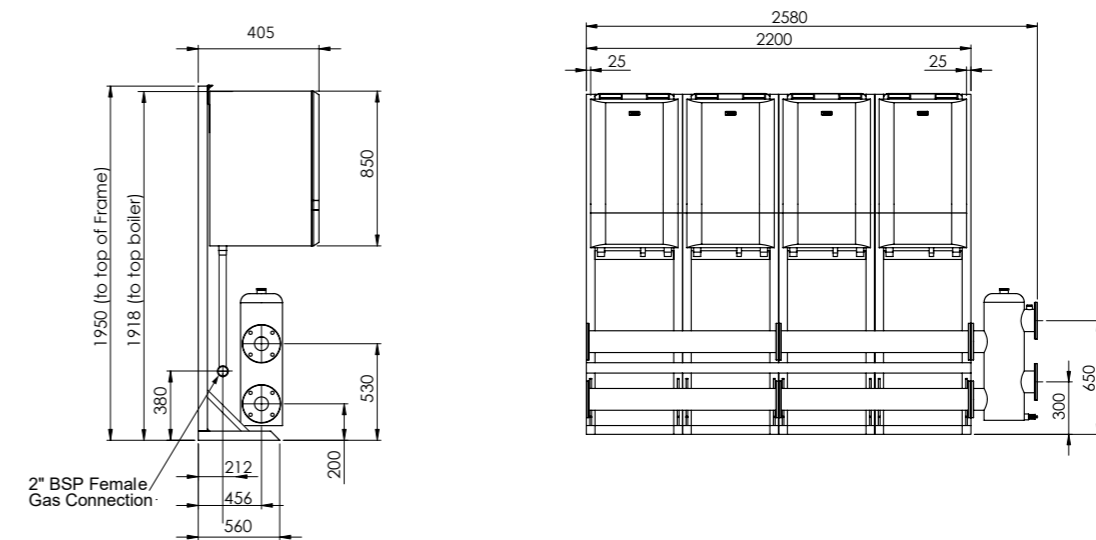
3 X KESTON HEAT 2



| UIN | DN FLANGE SIZE | SUITABLE FOR |
|--------|----------------|--------------------|
| 355085 | DN80 PN6 | 3 x Heat 2 boilers |
| 355112 | DN100 PN6 | 3 x Heat 2 boilers |

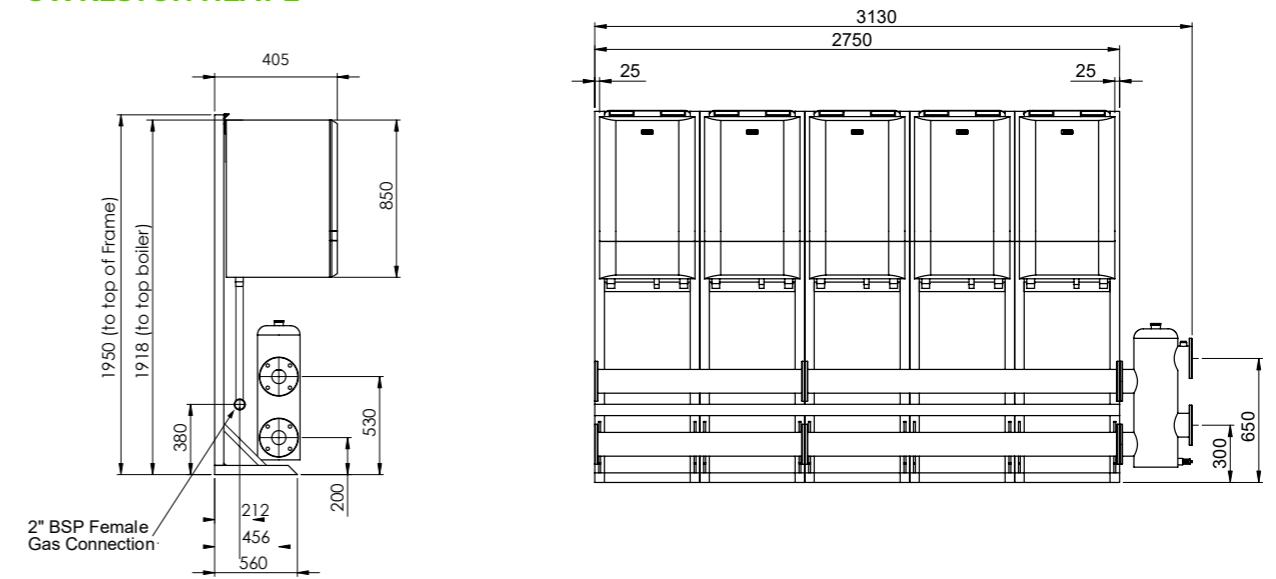
STANDARD HEIGHT INLINE CASCADES

4 X KESTON HEAT 2



| UIN | DN FLANGE SIZE | SUITABLE FOR |
|--------|----------------|---|
| 355087 | DN100 PN6 | 4 x Heat 2 boilers, 30 – 150kW with PHEX or (M)LLH separation |

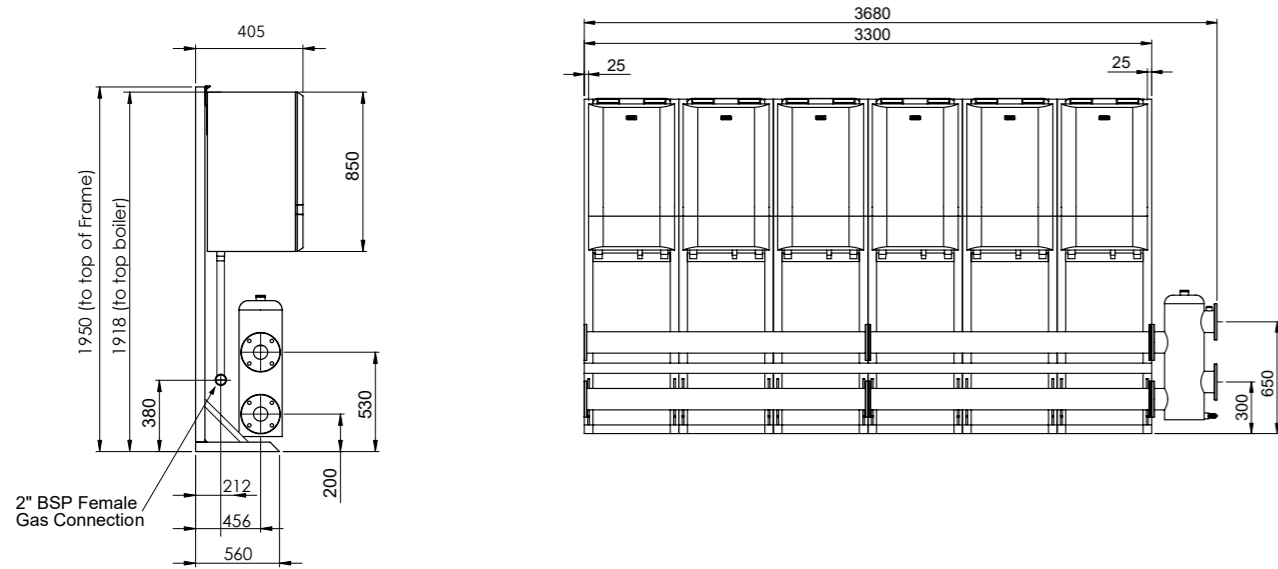
5 X KESTON HEAT 2



| UIN | DN FLANGE SIZE | SUITABLE FOR |
|--------|----------------|--------------------|
| 355087 | DN100 PN6 | 5 x Heat 2 boilers |

STANDARD HEIGHT INLINE CASCADES

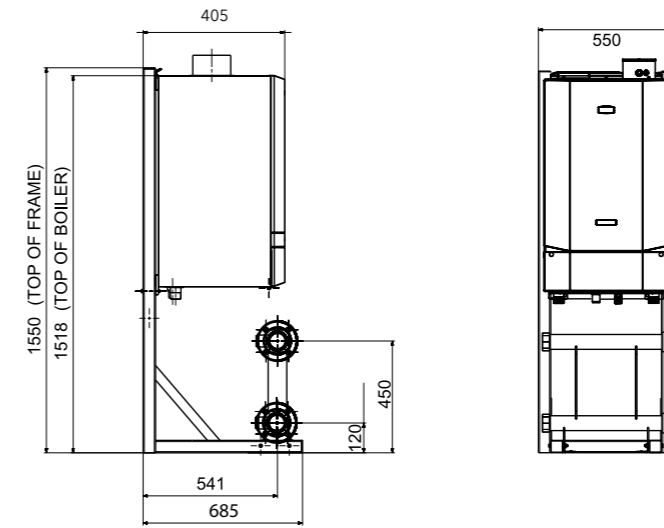
6 X KESTON HEAT 2



| UIN | DN FLANGE SIZE | SUITABLE FOR |
|--------|----------------|--------------------|
| 355088 | DN100 PN6 | 6 x Heat 2 boilers |

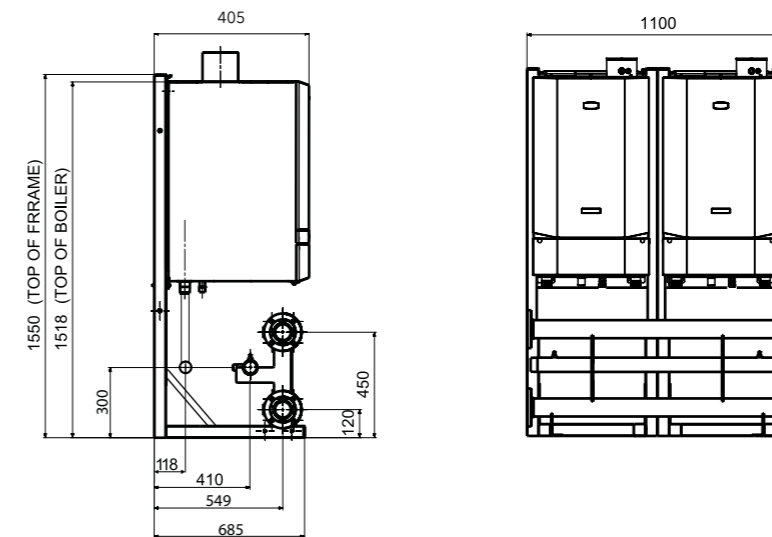
LOW HEIGHT INLINE CASCADES

1 X KESTON HEAT 2



| UIN | DN FLANGE SIZE | SUITABLE FOR |
|--------|-------------------|--------------------|
| 355093 | DN50 PN6 (or R2") | 1 x Heat 2 boilers |

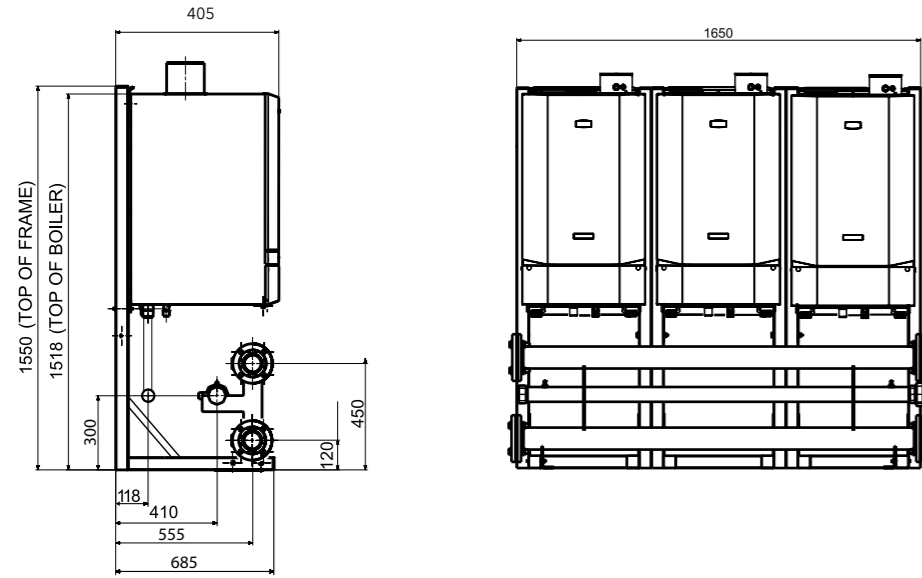
2 X KESTON HEAT 2



| UIN | DN FLANGE SIZE | SUITABLE FOR |
|--------|----------------|--------------------|
| 355094 | DN65 PN6 | 2 x Heat 2 boilers |

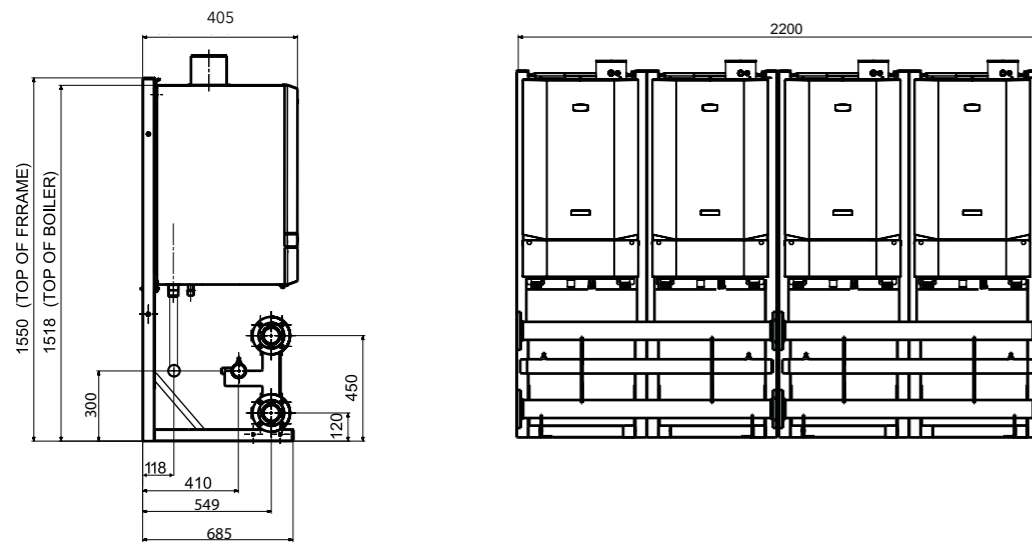
LOW HEIGHT INLINE CASCADES

3 X KESTON HEAT 2



| UIN | DN FLANGE SIZE | SUITABLE FOR |
|--------|----------------|--------------------|
| 355095 | DN80 PN6 | 3 x Heat 2 boilers |

4 X KESTON HEAT 2



| UIN | DN FLANGE SIZE | SUITABLE FOR |
|--------|----------------|--------------------|
| 355096 | DN100 PN6 | 4 x Heat 2 boilers |



KESTON SERVICE

Support & Aftersales

When you choose a Keston appliance, you are selecting a solution that has been expertly produced to the highest of standards.

SUPPORT

When you choose to work with Keston you can be confident to know that you're partnering with a British manufacturer that's supported by a dedicated national service team, delivering help and advice to you and your customers, 364 days a year.

Our rigorous research and development procedures and manufacturing quality control checks ensures that all of our products are produced to the highest of standards, delivering total comfort and peace of mind.

SERVICE

Our dedicated service team of engineers are fully trained to exacting standards and are Gas Safe Registered, providing one-to-one advice on the road, over the phone or via the net to thousands of customers each year.

PARTS

Keston's extensive quality testing procedures ensure that all of our products are manufactured to the highest of quality standards.

AFTERSALES

Supported by a dedicated national service team, delivering help and advice to you and your customers, 364 days a year, all of Keston's products come with their own dedicated warranty. Each product design undergoes a rigorous research and development procedure and manufacturing quality control check to ensure that every product is produced to the highest of standards, helping to deliver total home comfort and peace of mind. In the unlikely event that a spare part is required, you can be rest assured that most parts are readily available to order via your local spares outlet up to 10 years after appliance production has ceased.

Keston spare parts can be obtained from any of Ideal Heating's nationwide network of approved stockists.



Installer helpline & Homeowner helpline

01482 443 005



Spares Department

01482 443 005

For information about any Keston spare parts

For a list of stockists, please call our Spares Department or visit our website keston.co.uk



KESTON TRAINING

Here at Keston, we understand that having the confidence to be able to specify and install a wide range of products is an essential part of your day-to-day job.

With this in mind, we have created a wide range of comprehensive training courses, utilising both classroom and hands-on learning techniques to enable you to become a more efficient, skilled heating engineer.

All of our training courses have been designed to ensure that you get the most out of the time spent off the road and can be easily adapted to suit the desired knowledge level.

So, if you're looking to refresh your existing knowledge, or to learn how to install something completely new, Keston has a course for you.

For more information, please contact the training department on 01482 443 005.

LOCATIONS

Centres of Excellence in Hull and Leeds.

These are comprehensive one-day courses, which can be mixed and matched for individual installation and servicing companies. The course uses a simple step-by-step approach with hands on training to ensure all aspects of commissioning, servicing and fault finding can be dealt with quickly and efficiently.

If you are an installer/service engineer you must be Gas Safe Registered to attend a course.

COURSE CONTENT

Each course covers the following:

- **Product range overview**
- **Product specification**
- **Installation requirements**
- **Flue and accessory options**
- **Component review overview**
- **Component change and repair**
- **User controls**
- **Sequence of operation**
- **Fault finding**

The course involves discussion with tutors, demonstrations with practical advice. Lunch and refreshments are provided and a certificate is awarded upon completion.



PRODUCT INFORMATION



BOILER PACKAGED

| KESTON SYSTEM 2 | KESTON COMBI 2 | KESTON HEAT 2 |
|--|---|--|
| 228384 Keston System 2 S30 Boiler Packaged | 228344 Keston Combi 2 C30 Boiler Packaged | 355123 Keston Heat 45 Boiler Packaged |
| | 228345 Keston Combi 2 C35 Boiler Packaged | 355124 Keston Heat 55 Boiler Packaged |
| | | 355125 Keston Heat 45P Boiler Packaged |
| | | 355126 Keston Heat 55P Boiler Packaged |

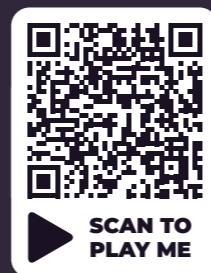
ACCESSORIES

| KESTON SYSTEM 2 | KESTON COMBI 2 | KESTON HEAT 2 |
|---|---|--|
| 355005 Keston Twin Combi 2 / System 2 Stand Off Kit | 355005 Keston Twin Combi 2 / System 2 Stand Off Kit | 355006 Keston Air Terminal Finishing Kit |
| 355006 Keston Air Terminal Finishing Kit | 355067 7 Day Plug in Electronic Timer | 355082 Keston System Filter 28mm |
| 355007 Keston Flue Sleeve Kit | 355066 RF Electronic | 355128 Varican Gateway Principle Kit |
| 355081 Keston System Filter 22mm | | 355129 Varican Gateway Secondary kit |
| 355071 Keston System 2 S30 LPG Conversion Kit | | 355130 Extension Module Kit |
| | | 355131 Flow Sensor Immersion Pocket Kit |
| | | 355132 Flow Sensor Strap On Kit |
| | | 355133 Keston Heat and Heat 2 Room Sensor Kit |
| | | 355135 Keston Heat 2 OPENTHERM 2 Channel Programmable Room Control |
| | | 355136 Safety Interlock Kit |
| | | 355137 0-10V Pump Control Kit |
| | | 355138 KNX Gateway |
| | | 355139 Flue Connector Air Inlet Kit |

FRAME AND HEADER KITS

| KESTON HEAT 2 | | |
|--|---|--|
| 355013 Single Frame Standard Height Inline Kit | 355093 Low Height Frame and Header DN50 x 1 Boiler Kit | |
| 355089 Single Frame Low Height Inline Kit | 355094 Low Height Frame and Header DN65 x 2 Boiler Kit | |
| 355084 Header Inline DN80 x 2 Boilers Kit | 355095 Low Height Frame and Header DN80 x 3 Boiler Kit | |
| 355085 Header Inline DN80 x 3 Boilers Kit | 355096 Low Height Frame and Header DN100 x 4 Boiler Kit | |
| 355111 Header Inline DN100 x 2 Boilers Kit | 355090 Low Loss Header DN50 | |
| 355112 Header Inline DN100 x 3 Boilers Kit | 355091 Low Loss Header DN65 | |
| 355086 Header Inline DN100 x 4 Boilers Kit | 355019 Low Loss Header DN80 | |
| 355087 Header Inline DN100 x 5 Boilers Kit | 355092 Low Loss Header DN100 | |
| 355088 Header Inline DN100 x 6 Boilers Kit | 355097 Standard Height Flexible Gas Hose | |
| | 355098 Low Height Flexible Gas Hose | |

Earn points for your registrations with the Connect loyalty scheme.*



CONNECT

The more installs you register, the more loyalty points you earn each time



Free Gas Safe Registrations



Exclusive Promotions



Free Training



Earn Rewards Points



Who wouldn't want to be part of this scheme! Fantastic support whenever I need it, plus I get rewarded for my work!

HOW TO EARN CONNECT POINTS



WORKING WITH CONNECT

When you register with Connect you will get a wide range of benefits straight away. Registrations of both Ideal Heating and Keaton boilers count towards your total number of boilers, moving you up the ranks quicker.

BRONZE
New accounts are Bronze rated which gives you rewards of up to £15 for a Keaton Combi 2 or System 2 and up to £30 for a Keaton Heat 2 registration.

SILVER
You will move up to Silver rated after your twentieth boiler where you can earn over £30 for registering a Keaton Heat 2.

GOLD
If you register 50 boilers in any twelve month time period you will receive rewards of up to £45 per boiler.

| | BRONZE 0-19 BOILERS | SILVER 20-49 BOILERS | GOLD 50+ BOILERS |
|--------------------|------------------------|-------------------------|----------------------|
| COMBI 2 & SYSTEM 2 | £15.00 46 POINTS | £25.00 80 POINTS | £35.00 107 POINTS |
| HEAT 2 | £30.00 100 POINTS | £30.00 100 POINTS | £45.00 140 POINTS |

Join today at www.installerconnect.com

*Subject to terms and conditions. Qualifying products only.

Earn points on every boiler you register with Connect*. The points soon add up and can then be used to claim a huge variety of rewards available. From workwear to family holidays, Christmas presents to radio adverts there's a reward for everyone.

WE BELIEVE IN REWARDING OUR INSTALLERS.



EASY WARRANTY REGISTRATIONS

Register your customers' warranty through our website or new Connect app. The Connect app available for iOS and Android allows you to register boilers on the go by simply scanning the boiler barcode and filling in the information.



FREE GAS SAFE REGISTRATIONS

Our web portal allows you to register boilers and simultaneously notify Gas Safe where we will pick up the charge!

You can then access warranty and Gas Safe certificates as PDFs whenever you need them.



High street vouchers



Gadgets & gifts



Premier Club



Axinite workwear

We've partnered with new workwear brand Axinite to give you access to a great range of premium workwear.

Download vouchers from the installer connect portal and use them against new work trousers, boots and personalised t-shirts and jackets.



Holidays and city breaks

Whether it's seeing the sights in Paris or relaxing on the beaches of the Algarve. Why not spend your hard earned Connect points on a memorable getaway?



Customer Service:

01482 443005

Technical Help:

01482 443005

Manufactured to the highest UK standards,
anything is possible with a Keston.

Keston Heating, PO Box 103, National Avenue,
Kingston upon Hull, East Yorkshire, HU5 4JN

E: enquiries@idealheating.com

keston.co.uk |     

**EXPERTS IN
HEATING**

K_230505_Keston_Product_Guide_May23

In accordance with our policy of constant improvement we reserve the right to alter the design and specification of products without prior notice.